

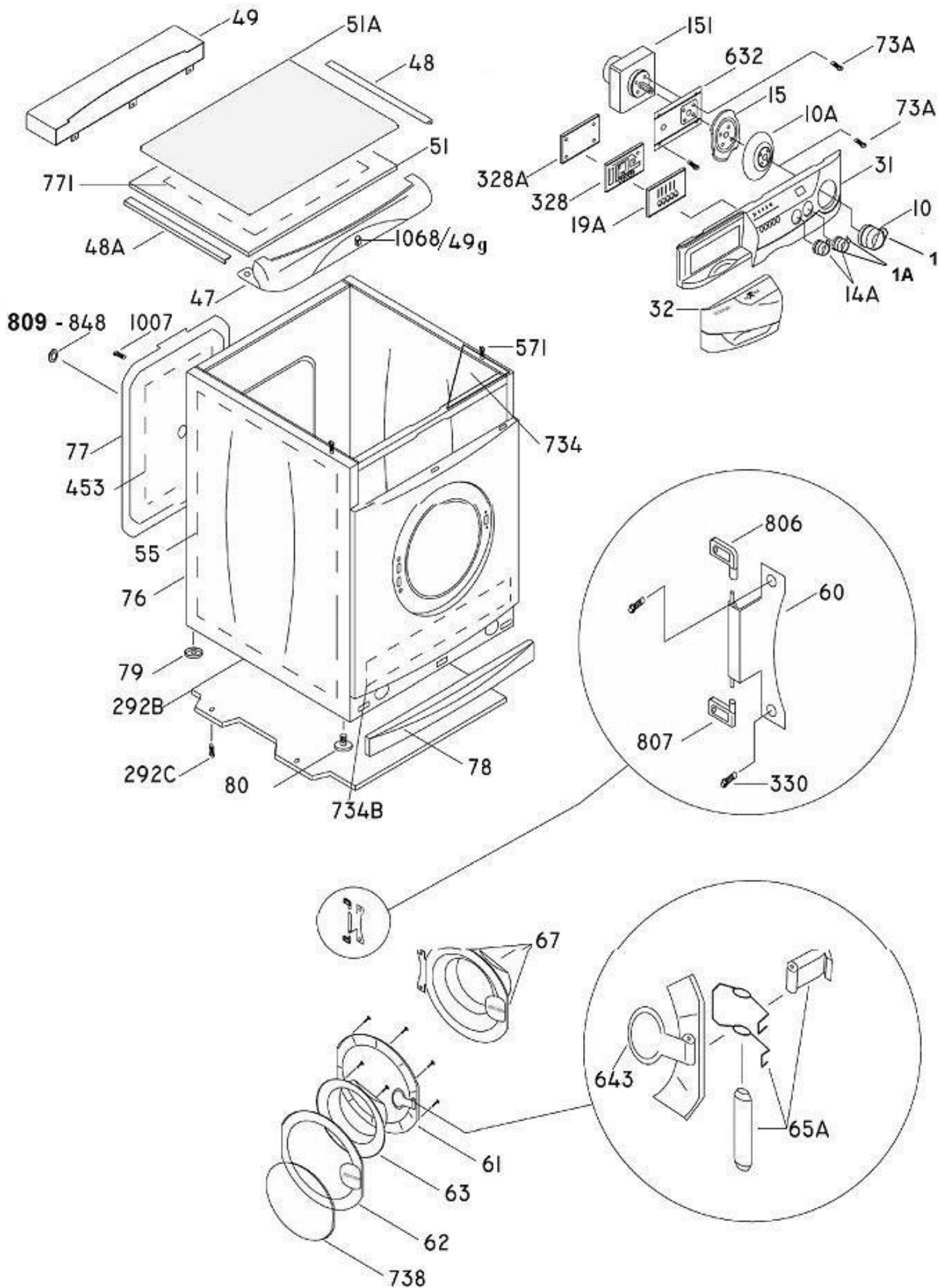


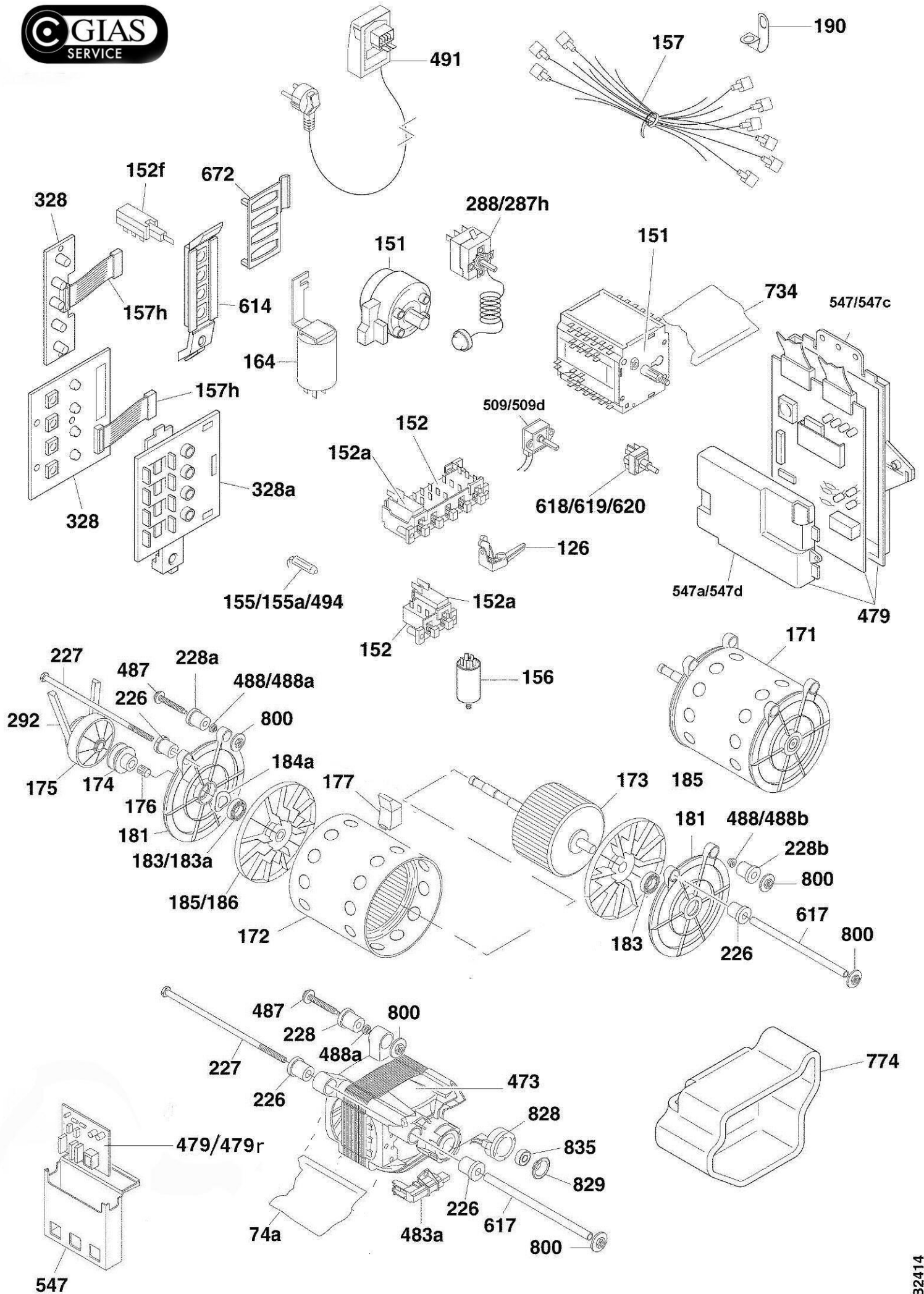
**HOOVER** 

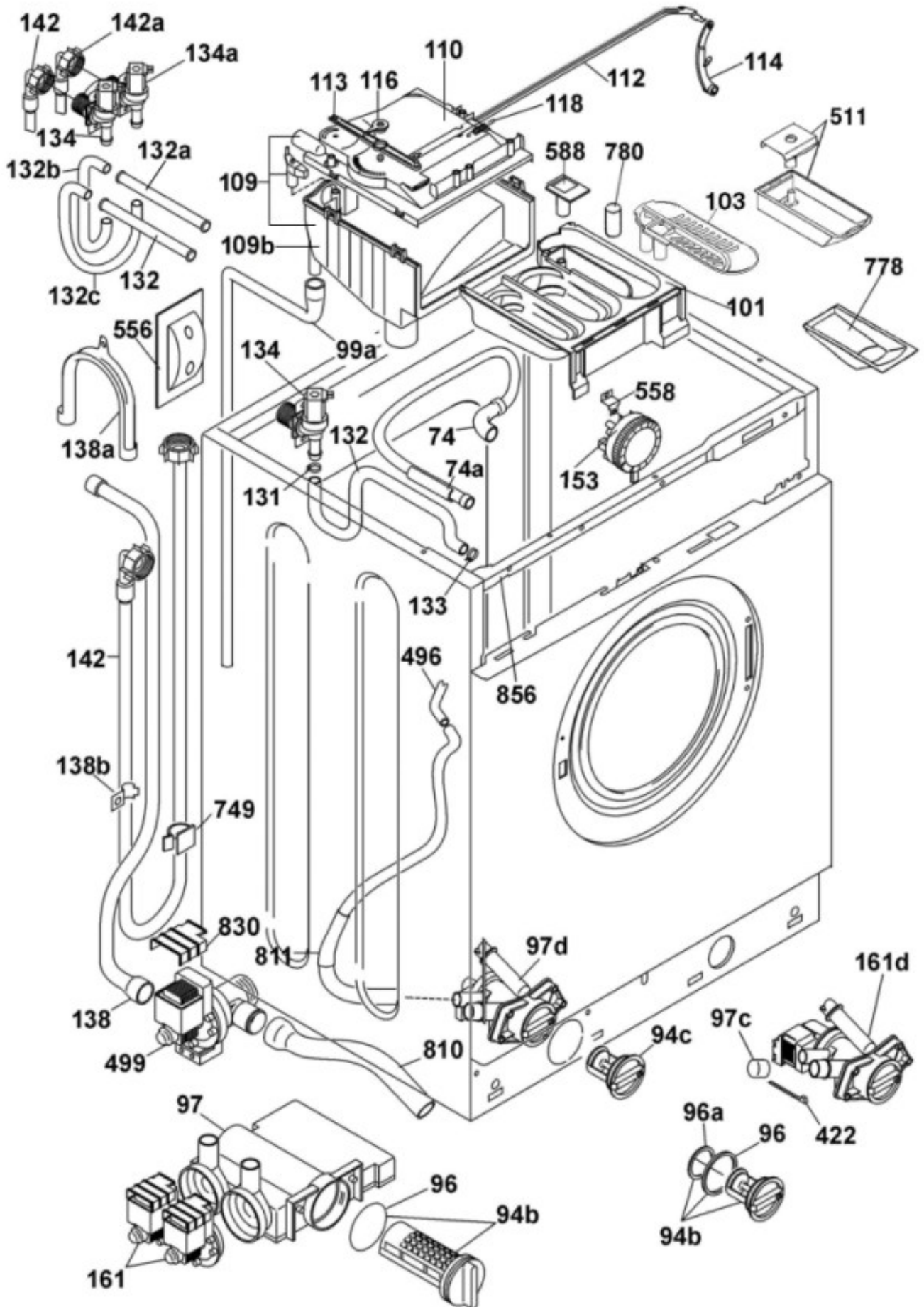
W.MACHINE/WASHER-DRYER

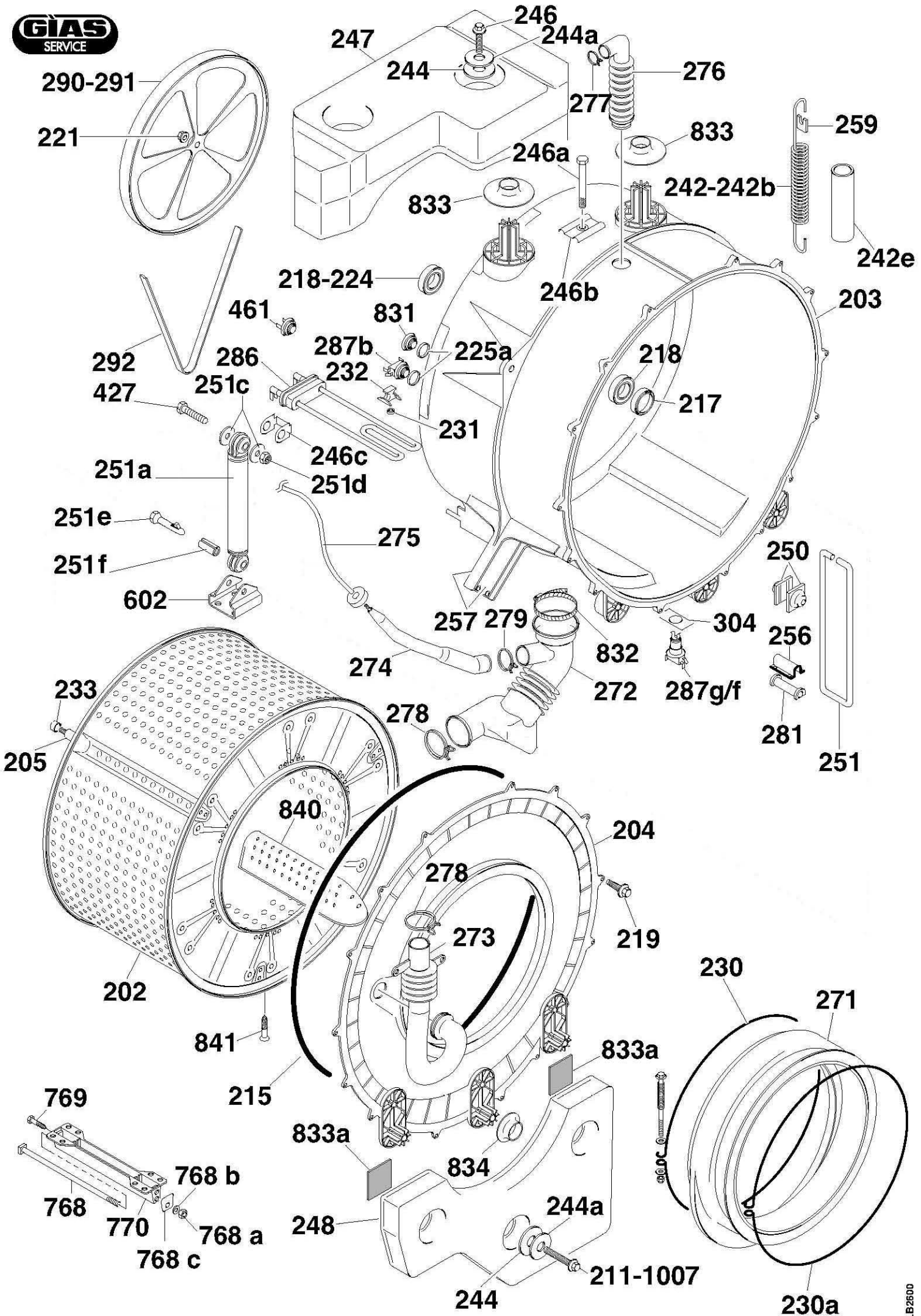
31002595 HNL642-80

Service Manual











31002595 HNL642-80 0814 (03/04/2008)

		Ricambio Part No. Piece E-Teil Pieza	Inizio Beginning Debut Begin Inicio	Fine Ending Fin End Fin
Ref.	Descrizione - Description - Beschreibung - Descripcion			
1	Knob insert	41010379		
1a	Potentiometer knob insert	41010380		
10	Timer/select. knob	09200588		
14l	Knob	41010378		
31	Control panel	40005510		
32	Dispenser drawer front	40005506		
47	Table top front frame	41010368		
48	R/H side frame	90481946		
48a	L/H side frame	90481979		
49	Top rear frame	41010373		
49g	Trade mark plate	91617795		
51	Work top	41011597		
60	Hinge	41010676		
61	Counter ring	41010383		
62	Door surround	41010382		
63	Door glass	91600903		
65a	Door catch with spring service pack	09200565		
67	Glass door with frame	41010969		
76	Cabinet assy	04230672		
77	Rear panel	97911044		
78	Socle	41006148		
79	Rear foot	92606474		
80	Front foot	92692300		
97d	Filt hous w/filter cartridge	49002227		
101	Dispenser drawer	41013614		
109b	Dispenser bottom section	41013608		
110	Dispenser top section	41013609		
132	Hose	41013620		
133	Hose clip	92470012		
134	Solenoid valve	41013615		
138	Drain hose	92693373		



31002595 HNL642-80 0814 (03/04/2008)

		Ricambio Part No. Piece E-Teil Pieza	Inizio Beginning Debut Begin Inicio	Fine Ending Fin End Fin
Ref.	Descrizione - Description - Beschreibung - Descripcion			
138a	Drain house elbow	92689587		
138b	Hose clamp	92895051		
142	Fill hose	92250869		
151f	selector 16 settings	41014502		
153	Pressure switch	28375052		
157	Wiring harness	09200925		
157n	Timer harness	41015794		
157p	Motor to module harness	91201485		
157r	Harness x potentiometer	91201364		
157x	Flat cable	41005128		
161d	Drain/recycle pump complete	41020002		
162	Door safety device	41016879		
164	Anti jamming filter radio	91200098		
178	Motor connector	27719213		
202	Drum	41014208		
203	Tub	09200772		
204a	Front flange	40004452		
205	Drum shaft assy	41014218		
211	Bolt	97923474		
213	Spring	41012368		
215	Tub gasket	92131689		
217	Seal retainer	41024550		
219	Bolt	21446068		
221	Nut	41017213		
230	Tub gasket clip	91750458		
230a	Tub gasket clip	90488603		
232	Heater holder	92736578		
242	Support spring.	41015079		
242a	R/H support spring	41015078		
244	Washer	92430206		
244a	Counter weight washer	92430214		



31002595 HNL642-80 0814 (03/04/2008)

		Ricambio Part No. Piece E-Teil Pieza	Inizio Beginning Debut Begin Inicio	Fine Ending Fin End Fin
Ref.	Descrizione - Description - Beschreibung - Descripcion			
246	Bolt	92419472		
246a	Bolt	97911507		
246b	Slide	09078825		
247	Upper balance weight	97910491		
248	Lower balance weight	03940700		
251a	Telescopic shock absorber	41017168		
251e	Shoch absorber pin	41017173		
251f	Antinoise bush	41017169		
259	Support	92673961		
271	Door gasket	41008852		
272	Discharge pipe	41002867		
273	Fill pipe	91620033		
274	Pressure switch air chamber	91611202		
275	5x8 hose	66655731		
276	Steam hose	91620009		
278a	Hose clip d44	92470137		
279	Hose clip	92470285		
286	Heater	91201546		
287m	NTC probe	91201325		
290	Drum pulley	41017885		
292	Drive belt	92130442		
292b	Bottom panel	04230945		
292c	Clips	92473636		
292c	Clips	40000653		
328	Control panel electronic module	41012352		
328f	Pcb protection	41011311		
330	Screw x hinge	97918445		
473	Commutator motor	41023827		
479i	Coreboard 32K programmed	09200943		
479m	Electronic control 32K not programmed	41021514		
483a	Brush with brush holder	92126721		



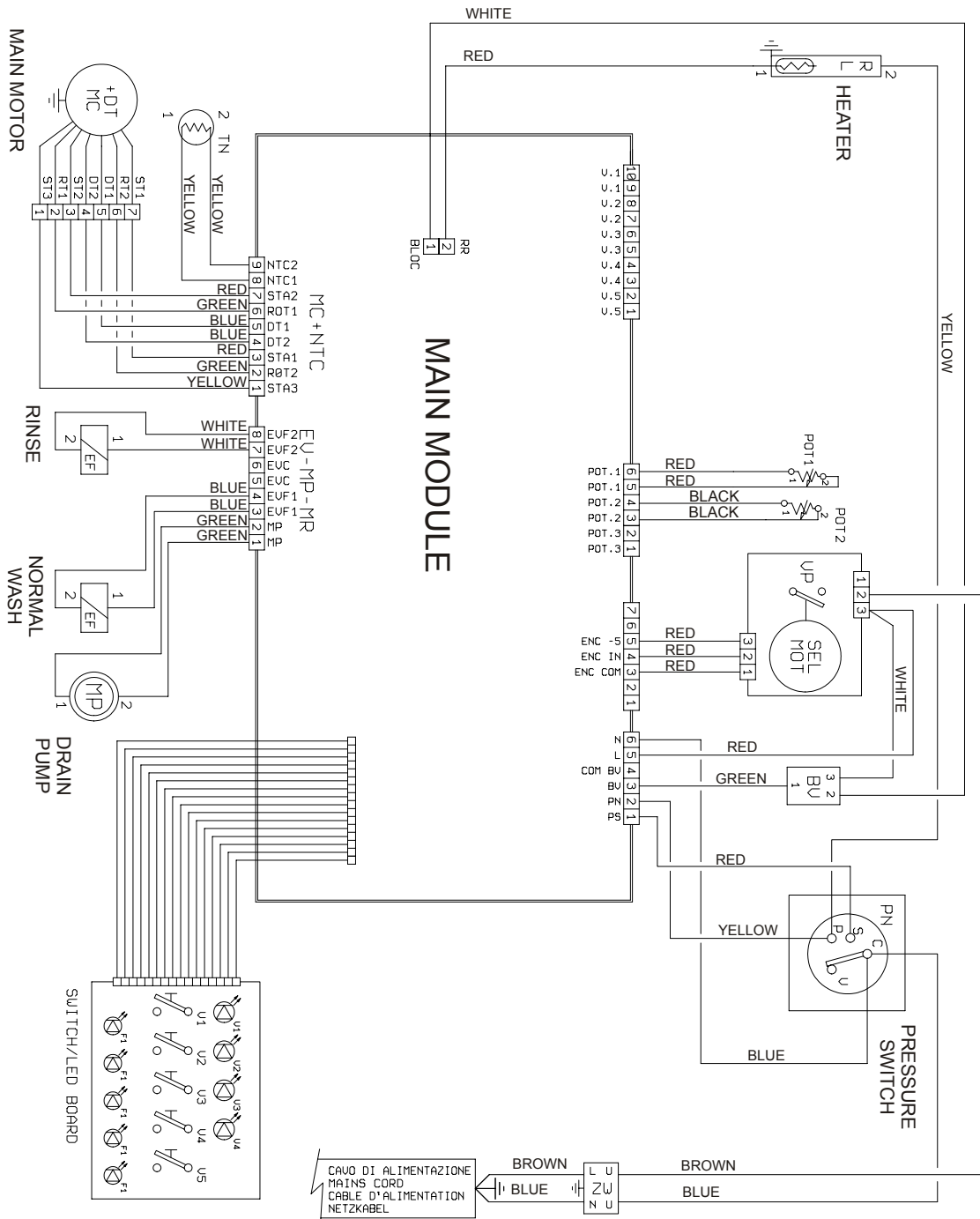


31002595 HNL642-80 0814 (03/04/2008)

Ref.	Descrizione - Description - Beschreibung - Descripcion	Ricambio Part No. Piece E-Teil Pieza	Inizio Beginning Debut Begin Inicio	Fine Ending Fin End Fin
487	Special bolt	09183567		
491c	Mains cable x UK	91200201		
500	Hose clip	92470046		
509	Potentiometer	41010932		
547	Module protection	91601842		
547a	Module protection cover	91601843		
558	Support bracket	92884204		
588	Siphon	41013613		
602	Shock-absorb.conn.bracket	41017172		
643	Door handle assembly	41010388		
734	Timer protection	91602473		
806	Door upper hinge	41010385		
807	Door lower hinge	41010386		
828b	Tach.coil	91950881		
829	Metallic cover	91950899		
833	Upper counterweight support	92898915		
834	Lower counterweight supp.	92898923		
840	Drum paddle	03870539		
841	Drum paddle fixing screw	09200323		
848	Plug	92943216		
1007	Tie rod	92401447		
1019	Instruction for use	40005508		



# WIRING DIAGRAM

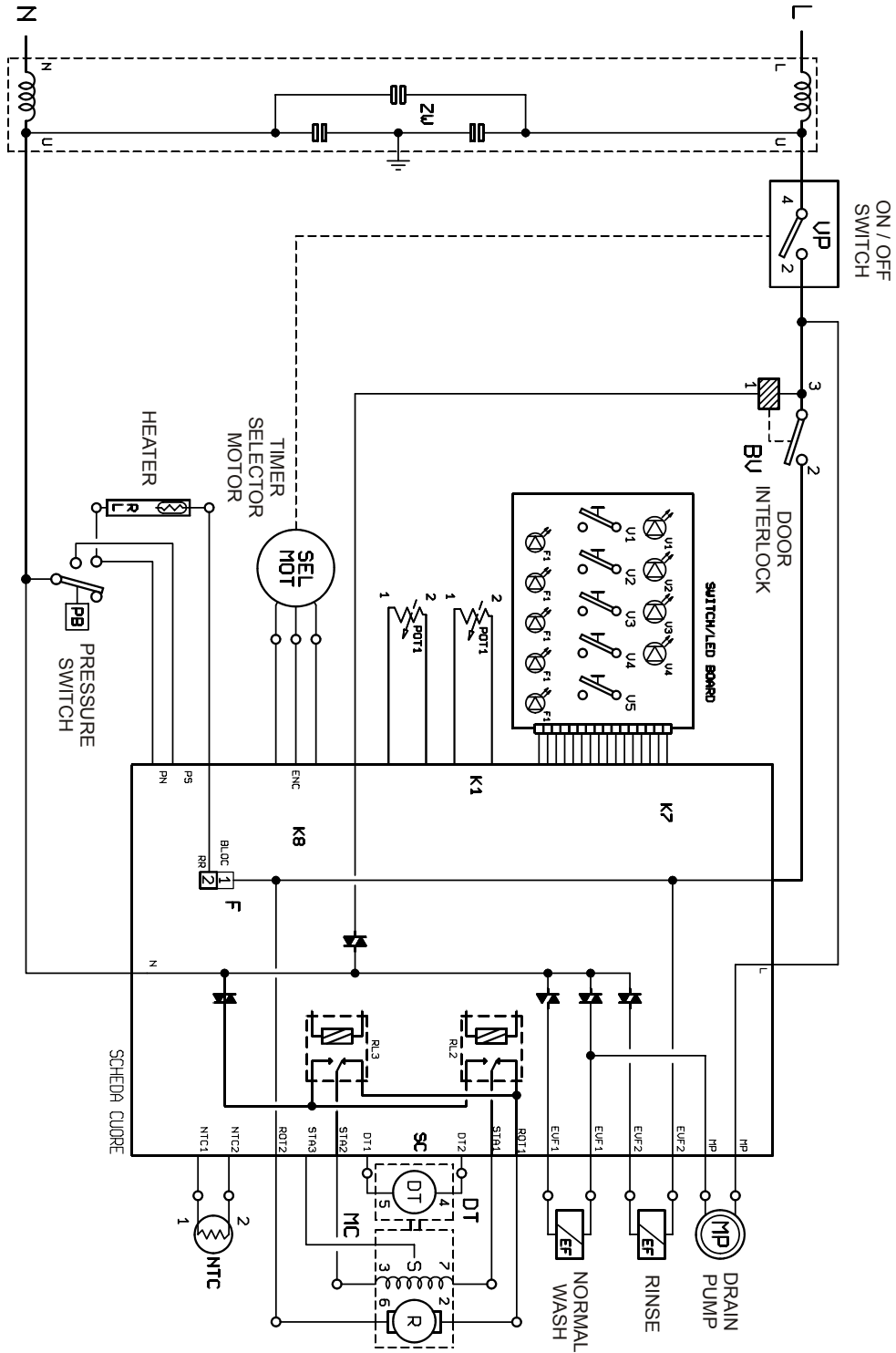


40002880 - COLD VALVE (2 POTS)



# CIRCUIT DIAGRAM

40002880 - COLD VALVE (2 POTS)



**Versione 22/04/2009**

- 4** Centrifuga lenta - Slow speed spin - Essorage lent - Langsame Zentrifuge - Centrifugado bajo – Düşük hızda sıkma
- 8** Centrifuga veloce - Fast speed spin - Essorage vite - Schnelle Zentrifuge - Centrifugado rapido – Yüksek hızda sıkma
- AN** Antitrabocco - Anti-overflow - Dispositif anti debordement - Antiüberlaufener - Antidesbordamento – Taşma önleyici
- AT** Timer asciugatura - Dryer timer - Programmateur sechage - Trochner timer - Programador secado – Kurutucu zamanlayıcı
- BL** Basetta di linea - Terminal box - Boite a liesons - Klemmbrett - Placa de linea – Terminal kutusu
- BR** Ritardatore apertura amperometrico - Amperometric opening delayer - Retardateur ouverture amperemetrique - Stromverzögerungsrelais - Placa retardadora amperimetrica – Akımsal kapı kilit mekanizması
- BV** Ritardatore apertura voltmetrico - Voltmetric opening delayer - Retardateur ouverture voltmetrique - Voltmeter-Verzögerungsrelais - Placa retardadora voltmetrica – Gerilimsel kapı kilit mekanizması
- C** Carico acqua calda - Hot water filling - Chargement eau chaude - Warmtwasserfüllung - Entrada agua caliente – Sıcak su giri
- CA** Condensatore - Capacitor - Condensateur - Kondensator - Condensador - Kondansatör
- CB** Condensatore aggiunto - Additional capacitor - Condensateur supplémentaire - Beifuegende Kondensator - Condensador suplementario –lave kapasitör
- CC** Condensatore centrifuga - Spin capacitor - Condensateur centrifuge - Zentrifuge Kondensator - Condensador centrifugado – Sıkma kapasitörü
- CL** Condensatore lavaggio - Washing capacitor - Condensateur lavage - Waschen - Kondensator - Condensador lavado – Yıkama kapasitörü
- D** Lavaggio delicato - Soft tumble - Mouvement delicat - Delikate Waschung - Lavado delicado – Hassas kurutma

- DT** Dinamo tachimetrica - Tachometric dynamo - Bobine tachymetrique - Regel Dynamo - Dinamo taquimetrica – Takometrik dinamo
- EA** Elettrovalvola asciugatura - Drying solenoid valve - Electrovanne sechage - Trochen - Elektroventil - Electrovalvula secado – Kurutucu solenoid valfi
- EC** Elettrovalvola acqua calda - Solenoid valve for hot water - Electrovanne eau chaude - Warmes Wasser Elektroventil - Electrovalvula agua caliente – Sıcak su solenoid valfi
- EF** Elettrovalvola acqua fredda - Solenoid valve for cold water - Electrovanne eau froid - Kaltes Wasser Elektroventil - Electrovalvula agua fria – So uk su solenoid valfi
- F** Lavaggio forte - Strong tumble - Mouvement intensif - Stark Washung - Lavado energico
- FA** Centrifuga alta velocità - High speed spin - Centrifuge haute vitesse - Hochgeschwindigkeit Schleuderung - Centrifugado alta velocidad – Yüksek hızda sıkma
- FB** Centrifuga bassa velocità - Low speed spin - Centrifuge basse vitesse - Geschwindigkeit Schleuderung - Centrifugado baja velocidad – Düşük hızda sıkma
- FD** Funzione 4° risciacquo - 4th rinse function - Fonction 4eme rincage - 4 Spülung Funktion - Funcion cuarto enjuague – 4'üncü durulama fonksiyonu
- FG** Funzione lavaggio 35 giri - 35 rpm washing function - Fonction 35 tours lavage - 35 Abwashung Funktion - Funcion lavado 35 giros – 35 dev/dak yıkama fonksiyonu
- FN** Variante stock nord - Northern Europe market variation - Variation pour l'Europe du Nord - Anderung Nord Europa - Variante stock nortico – Kuzey Avrupa pazarı farklılığı
- FP** Protezione termostato di consenso - Protection for N.O. thermostat - Protection pour thermostat N.O. - Schutz fuer N.O. Thermostat - Protección termostato de paso 30°C – N.A. termostat koruma
- FR** Rigenero - Regenerating rinse - Rincage avec regeneration - Ausspuelung - Aclarado – Rejeneratif durulama
- FS** Funzione salto "stop con acqua in vasca" - Function for "jumping" over the "stop with water in tub" - Fonction pour "sauter" le "stop avec l'eau dans la cuve" - Funktion für "springen" die "stop mit wasser in wanne" - Funcion salto de "parada con agua en cuba" – “Suda bekletme” fonksiyonu için durdurma fonksiyonu
- FT** Termofusibile - Thermal fuse - Fusible thermique - Thermosicherung - Termofusibile – Termal sigorta
- G** Rigenero - Water exchange - Régénération d'eau - Wasser-Austausch – Regeneracion de agua – Su çevrimi

- GT** Morsetto generale di terra - Earth connection - Serre cable de sol - Erdklemme - Toma general tierra – Topraklama ba lantısı
- GV** Morsetto messa a terra vasca - Tub earth connection - Serre cable de sol cuve - Waschbottich Erdklemme - Toma tierra cuba **L1** Lampada spia alimentazione elettrica - Net pilot lamp - Lampe témoin - Kontrollampe - Piloto alimentacion electrica – Tambur topraklama ba lantısı
- H** Carico acqua fredda - Cold water filling - Chargement eau froid - Kaltwasserfuellung - Entrada agua fria – So uk su alma
- L** Alto livello - High water level - Haut niveau d'eau - Hoch Wasser Pegel - Nivel alto – Yüksek su seviye
- L2** Lampada spia fine asciugatura - End of drying pilot lamp - Lampe témoin du fin sechage - Ende-Trochnen -Kontrollampe - Piloto fin ciclo secado – Kurutma bitti lambası
- L3** Lampada spia raffreddamento - Cool down pilot lamp - Lampe témoin refroidissement - Abkuehlung-Kontrollampe - Piloto enfriamiento – So uma pilot lambası
- L4** Lampada spia cassetto acqua pieno - Pilot lamp for full water container - Lampe témoin boîte eau plein - Wasser Behaelter Voll Kontrollampe - Piloto nivel maximo agua – Su haznesi dolu lambası
- L5** Lampada spia filtro intasato - Clogged filter pilot lamp - Lampe filtre engorgé - Verstopfter Filter Kontrollampe - Piloto filtro sucio – Filtre tıkalı lambası
- LA** Spia asciugatura - Drying cycle pilot lamp - Lampe témoin sechage - Trochen-Kontrollampe Piloto secado – Kurutma pilot lambası
- LD** Spia LED - LED pilot lamp - Lampe témoin LED - LED Kontrollampe - Piloto LED – LED lamba
- LF** Spia asciugatura forte - Intensive drying pilot lamp - Lampe témoin sechage intensif - Starktrochen Lampe – Hassas kurutma lambası
- LS** Spia generale - Pilot lamp - Lampe témoin - Kontrollampe – Pilot lambası
- M** Carico acqua miscelata - Mixed water filling-up - Chargement eau mélangé – Gemischte Wasserfüll. -Entrada agua mezclada – Karı m suyu alma
- MA** Timer asciugatura - Drying timer - Timer sechage - Trochen Timer - Timer secado – Kurutma zamanlayıcı
- MC** Motore a collettore - Brushes and collector motor - Moteur collecteur - Kollektor Motor - Motor a collector – Kömürlü (firçalı) motor

- MD** Motore centrifuga - Spin motor - Moteur essorage - Schleuderung Motor - Motor secado – sıkma motoru
- ML** Motore lavaggio - Washing motor - Moteur lavage - Waschung motor - Motor lavado – Yıkama motoru
- MP** Elettropompa di scarico - Discharge electric pump - Pompe de vidange - Auslauf pompe - Electrobomba vaciado – Tahliye pompası
- MR** Elettropompa di ricircolo - Electric pump for water recycling- Pompe de recyclage - Rezirkulation Pumpe - Electrobomba de recirculo – Su çevrim pompası
- MT** Motorino timer - Timer motor - Moteur timer - Timer motor - Motor programador – Zamanlayıcı motoru
- MV** Motoventilatore asciugatura - Drying motor ventilator - Helice sechage - Trochen Fluegel - Motoventilador secado – Kurutma fanı
- P** Spull stop - Stop with water in tub - Arret avec eau dans la cuve - Spüllstop - Stop cuba llena(flot) – Suda bekletme
- PA** Pressostato alto livello - High level pressure switch - Pressostat du haut niveau - Hoch Pegel Druckwaechter - Presostato nivel alto – Yüksek seviye basınç alteri
- PB** Pressostato basso livello - Low level pressure switch - Pressostat du bas niveau - Niedrig Pegel Druckwaechter - Presostato nivel bajo – Düşük seviye basınç alteri
- PD** Potenziometro tempo lavaggio - Potenziometer adj length of cycle - Potenziometre temps de lavage - Washzeit potentiometer - Potenciometro tiempo lavado – Yıkama süresi potansiyometresi
- PH** Potenziometro temperatura - Potenziometer adj temperature - Potenziometre temperature - Temperatur potentiometer - Potenciometro temperatura – Sıcaklık potansiyometresi
- PN** Pressostato - Pressure switch - Interrupteur niveau - Druckwaechter - Presostato – Basınç alteri
- PR** Pressostato sicurezza resistenza- Heating element security pressure switch - Interrupteur niveau protection resistance - Heizwiderstand Sicherheit Druckwaechter - Presostato seguridad resistencia lavado – Isıtıcı emniyet basınç alteri
- PS** Pressostato sicurezza - Security pressure switch - Interrupteur niveau de securité - Sicherheit Druckwaechter - Presostato seguridad – Emniyet basınç alteri

- PT** Potenziometro velocità centrifuga - Potentiometer adj spin speed - Potentiometre vitesse essorage - Schleuderung geschwindigkeit potentiometer - Potenciometro velocidad centrifugado – Sıkma hızı ayar potansiyometresi
- PV** Pressostato variabile - Adjustable pressure switch - Pressostat variable - Varierbarer pressostat - Presostatato variable – Ayarlanabilir basınç alteri
- RA** Resistenza asciugatura - Drying heating element - Resistance sechage - Trockenheizung - Resistencia secado – Kurutma rezistansı
- RF** Resistenza asciugatura forte - Intensive drying heating element - Resistance sechage fort - Starktrocken Heizwiderstand - Resistencia secado energico. – Hassas kurutma rezistansı
- RL** Resistenza lavaggio - Washing heating element - Resistance lavage - Waschung Heizwiderstand - Resistencia lavado – Yıkama rezistansı
- RT** Regolatore di temperatura a tempo - Timer for temperature regulation - Reglage temperature au temps - Zeit-Temperatur-Regler - Regulacion temperatura por tiempo – Isı ayarı için zamanlayıcı
- S** Scarico - Discharge - Vidange - Ablauf – Vaciado - Tahliye
- SC** Modulo motore a collettore - Collector motor electronic module - Platine electroni que moteur collecteur - Modulo motor a colector – Motor sürücü elektronik kart
- SD** Ritardatore di partenza - Start delay - Retardateur de depart - Start-Verspaeter - Placa retardadora – Ba lama geciktirme
- SF** Modulo funzioni – Function module – Module fonctions – Funktions modul - Modulo funciones – Fonksiyon modülü
- SM** Selettore motorizzato – Motorised selector – Selecteur motorise – Programmselektor - Selector motorizado – Motorlu seçici
- ST** Sonda termostato regolabile - Adjustable thermostat probe - Sonde pour thermostat réglable -Einstellbar Thermostat Sonde - Sonda termostato regulable – Ayarlanabilir termostat probu
- ST3** Presa di campo – Tapped field coil – Modulation de champ - Conexion velocidad maxima – Kollu sargı
- SV** Velocità regolabile (potenziometro) - Adjustable speed (potentiometer) - Vitesse réglable (potentio-metre) - Einstellbar Geschwindigkeit (potentiometer) - Velocidad regulable (potenciometro) – Hız ayarlama (potansiyometre)



- T** Resistenza con consenso termostato - Heater with thermostatic consent - Resistan ce avec consentement thermostatique - Heizung mit Thermostat Erlaubnis - Resistencia con paso termostato – Termostatlı ısıtıcı
- TA** Termostato di sicurezza asciugatura - Drying cycle safety thermostat - Thermostat de securité sechage - Sicherheits-Thermostat Trocknung - Termostato seguridad secado – Kurutma emniyet termostatı
- TB** Termostato bassa temperatura - Low temperature thermostat - Thermostat pour basse temperature - Niedrige temperatur thermostat - Termostato baja temperatura – Düşük sıcaklık termostatı
- TC** Termostato di consenso N.A. - Timer feed through N.O. thermostat - Alimentation timer par thermostat N.O. - N.O. thermostat timer speisung - Termostato de paso – N.A. kontak üzerinden zamanlayıcı beslemesi
- TF** Termostato sicurezza asciugatura forte - Strong drying safety thermostat - Thermostat de securité essorage fort - Starke Abtrocknen Sicherheit Thermostat - Termostato seguridad secado energico – Güçlü kurutma emniyet termostatı
- TM** Termostato di massima (84°C+/-2°) - Limit thermostat (84°C+/-2°) - Thermostat de securité (84°C+/-2°) - Sicherheits-Thermostat (84°C+/-2°) - Termostato de maxima (84°C+/-2°) – Emniyet termostatı (84°C+/-2°)
- TN** Termostato NTC - NTC thermostat - Thermostat NTC - NTC thermostat - Termostato NTC – Termostat NTC
- TP** Termostato di sicurezza ricircolo - Water recycling safety thermostat - Thermostat de securité recirculation eau sechage - Sicherheits-Thermostat für Rezirkulation - Termostato de seguridad recirculo – Su çevrim emniyet termostatı
- TR** Termostato regolabile - Adjustable thermostat - Thermostat réglable - Regulierbarer-Thermostat - Termostato regulable – Ayarlı termostat
- TS** Termostato di sicurezza - Safety thermostat - Thermostat de securité - Sicherheits thermostat - Termostato de seguridad – Emniyet Termostatı
- V** Raffreddamento - Cool down - Refroidissements - Abkühlung – Enfriamiento - Soğutma
- V6** Tasto 6 Kg – 6 Kg push button – Poussoir 6 Kg – 6 Kg taste – Tecla 6 Kg – 6kg butonu
- VA** Tasto ammollo - Soak button - Poussoir trempage Einweichen Taste - Tecla remoio – Suda bırakma butonu

- VB** Tasto bassa temperatura (60°C) - Low temperature (60°C) button - Touche basse temperature (60°C) - Niedrige Temperatur (60°C) Taste - Tecla baja temperatura (60°C) – Düşük sıcaklık (60°C) butonu
- VC** Tasto ciclo freddo - Cold washing button - Bouton lavage froid - Taste Kaltes Wasche - Tecla lavado frio – Soğuk yıkama butonu
- VD** Tasto extrarisciacquo - Super rinse pushbutton - Touche extra rincage - Extra spuelung taste - Tecla de superaclarado – Ekstra durulama butonu
- VE** Tasto esclusione centrifuga - Spin cut-out button - Touche exclusion centrifuge - Schleuderans Taste - Tecla exclusion centrifugado - Sıkma kesme butonu
- VF** Tasto asciugatura forte – Intensive drying pilot lamp - Touche sechage fort - Starke Trocknungstatste - Tecla secado energico – Hassas kurutma lambası
- VG** Tasto lavaggio 35 giri - 35 rpm washing pushbutton - Touche 35 tours lavage - 35 Abwaschung Drehzahl - Tecla 35 r.p.m. lavado **VH** Tasto start delay-Star delay pushbutton-Touche start delay-Start delay taste - Tecla start delay – 35 dev/dak yıkama butonu
- VI** Tasto centrifuga istantanea - Sudden spin button -Touche essorage instantané - Taste Augenblick-licher-Schleuderung - Tecla centrifugado istantaneo – Sıkma butonu
- VK** Tasto 90° - 90° pushbutton - Touche 90° - 90° taste - Tecla 90° - 90° butonu
- VL** Tasto "Plus" - "Plus" pushbutton - Poussoir "Plus" - "Plus" taste - Tecla "Plus" – “Plus” butonu
- VM** Tasto mezzo carico elettrico - Switch for electric half load - Touche demi chargement électrique - Elektrische Halb-Einladen Taste - Tecla media carga electrico – Elektrikli yarı yük butonu
- VN** Tasto mezzo carico meccanico - Switch for mechanical half load - Touche demi chargement mecanique - Mechanische Halb-Einladen Taste - Tecla media carga mecanico – Mekanik yarı yük butonu
- VO** Tasto prelavaggio - Prewash pushbutton - Touche prelavage - Vorwaschung taste - Tecla prelavado – Ön yıkama butonu
- VP** Tasto marcia/arresto - On/Off button - Touche marche/arret - Ein/Aus Schalter - Tecla marcha / parada - On/Off butonu
- VQ** Tasto unidirezionale cesto – Unidirectional tumbling pushbutton - Touche rotation tambour unidirectionel - Taste für einseitige Trommeldrehung -Tecla unidireccional del tambor – ki yöne sıkma butonu

- VR** Tasto economia - Economic washing pushbutton - Poussoir lavage economique - Billigwasche Taste - Tecla economico – Ekonomik yıkama fonksiyonu
- VS** Tasto fermo con acqua in vasca (spull stop) - Stop with water in tub button (spull stop) - Poussoir arret avec eau dans la cuve (spull stop) - Spull stop taste - Tecla flot – “Suda bekletme” tu u (sıkma durdurma)
- VT** Tasto 4° risciacquo - 4th rinse pushbutton - Touche de rincage - Spueltaste - Tecla aclarado – 4’üncü durulama butonu
- VU** Tasto super rapido - Rapid program button - Touche super rapide - Super schnelltaste - Tecla super rapido – Hızlı program butonu
- VV** Tasto cambio velocità - Speed change button - Poussoir changement de vitesse. - Geschwindigkeitsaenderung Taste - Tecla cambio velocidad – Hız de i tirme butonu
- VW** Tasto "Softwasher" - "Softwasher" pushbutton - Poussoir "Softwasher" - "Softwasher" Taste -Tecla "Softwasher" – “Softwasher” butonu
- ZR** Relè - Relay - Relais - Relais - Rele - Röle
- ZT** Trasformatore - Transformer - Transformateur - Transformator - Transformador - Trafo
- ZW** Filtro antidisturbi radio - Radio interference suppressor - Filtre anti-bruit radio - Entstoerungsfilter - Filtro antiparasitario – Antiparazit filtre

- TABELLA CORRISPONDENZA CONTATTI PRESSOSTATO E BLOCCAPORTA
- REFERENCE LIST FOR CONNECTIONS TO PRESSURE SWITCH AND DOOR INTERLOCK
- TABLEAU DE CORRESPONDENCE POUR LES CONTACTS DU PRESSOSTAT ET RETARDATEUR OVERTURE
- REFERENZEN LISTE FÜR DIE DRUCHWÄCHTER KONTAKTS UND OEFFNUNGS VERSPATER
- TABLA DE CORRESPONDENCIA DE LOS CONTACTOS DEL PRESOSTATO Y BLOCCAPUERTA
- BASINÇ ALTER VE KAPI EMN YET ALTER NE BA LANTI Ç N REFERANS L STES

<b>C</b>	Contatto comune - Common lead - Contacto comun - Gemeinkontakt - Contacto comun – Ortak uç
<b>V</b>	Vuoto - Tub without water - Sans eau dans la cuve - Ohne wasser in dem Waschbottich - Sin agua en la cuba – Tamburda su yok
<b>P</b>	Pieno - Tub full of water - Avec eau dans la cuve - Mit wasser in dem Washbottich - Con agua en la cuba – Tambur su dolu
<b>A</b>	Antitrabocco - Anti-overflow device - Antidebordage - Antiüberlaufener - Antidesbordamiento – Ta ma önleyici alter

	<b>A</b>	<b>B</b>	
<b>C</b>	<b>11</b>	<b>11</b>	<ul style="list-style-type: none"> <li>• Il contatto 16 della versione "A" corrisponde al contatto 24 della versione "B".</li> <li>• Contact 16 of "A" version corresponds to contact 24 of "B" version.</li> <li>• Le contact 16 de la version "A" correspond au contact 24 de la version "B".</li> <li>• Der Kontakt 16 von "A" Version behalt der Kontakt 24 von "B" Version.</li> <li>• El contacto 16 de la version "A" corre-sonde al contacto 24 de la version "B".</li> <li>• 16 kontaklı A versiyonu 24 kontaklı B versiyonuna kar ılık gelmektedir.</li> </ul>
<b>V</b>	<b>12</b>	<b>12</b>	
<b>P</b>	<b>14</b>	<b>13</b>	
<b>A</b>	<b>16</b>	<b>/</b>	
<b>C</b>	<b>21</b>	<b>21</b>	
<b>V</b>	<b>22</b>	<b>22</b>	
<b>P</b>	<b>24</b>	<b>23</b>	
<b>A</b>	<b>/</b>	<b>24</b>	

<b>C</b>	<b>1</b>
<b>V</b>	<b>2</b>
<b>P</b>	<b>3</b>
<b>A</b>	<b>4</b>

- Il contatto L della versione "A" corrisponde al contatto 3 della versione "B".
- Contact L of "A" version corresponds to contact 3 of "B" version.
- Le contact L de la version "A" correspond au contact 3 de la version "B".
- El contacto L de la version "A" corresponde al contacto 3 de la version "B".
- Der Kontakt L von "A" Version bezhalt der Kontakt 3 von "B" Version.
- "A" versiyonunun L konta ı "B" versiyonunun 3 konta ına kar ılık gelmektedir.

A	B
L	3
N	1
C	2

A	AZZURRO	AÇIK MAV
B	BLU	MAV
C	CREMA	KREM
F	ROSA	PEMBE
G	GRIGIO	GR
K	PONTE	KÖPRÜ
M	MARRONE	KAHVERENG
N	NERO	S YAH
O	ARANCIO	TURUNCU
P	VERDE	YE L
R	ROSSO	KIRMIZI
V	VIOLA	MOR
Y	GIALLO	SARI
W	BIANCO	BEYAZ