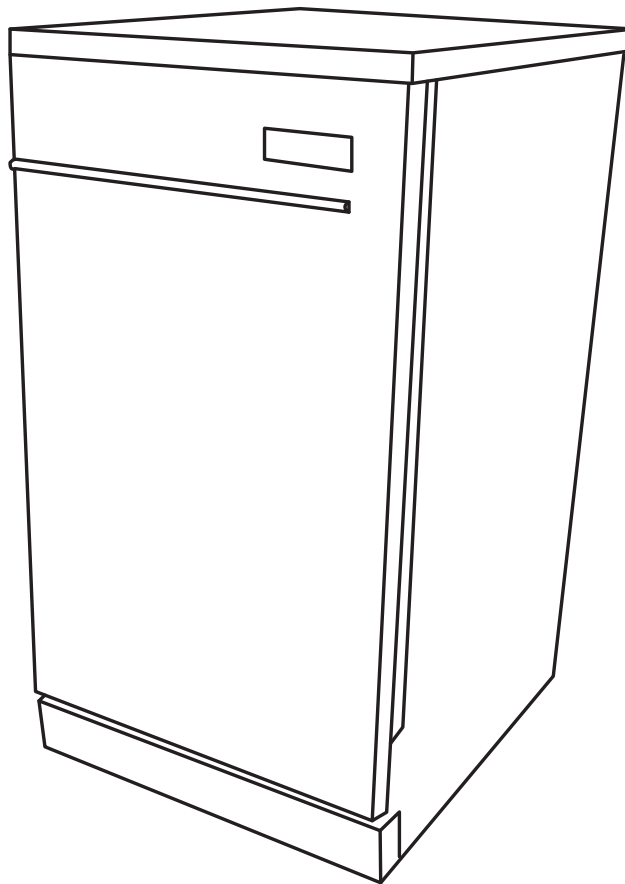


KENWOOD

Slimline Dishwasher KDW45X10

installation / instructions manual



Contents

unpacking	4
installation	5
location	5
product overview	9
front view	9
rear view	9
upper basket.....	10
lower basket	10
internal view	10
control panel.....	11
display screen	11
wash cycle table	12
before operating	13
to open the door	13
to close the door.....	13
items not suitable for use in the dishwasher	13
adding detergent or detergent tablet	14
adding rinse aid	15
adjusting the rinse aid reservoir	15
adding salt	16
adjusting salt consumption	17
loading the dishwasher	18
before loading the dishwasher	18
upper basket.....	19
- adjusting the upper basket	19
- loading the upper basket for 9 place settings.....	19
lower basket	20
- hinged spikes	20
hinged cup rack.....	20
- loading the lower basket	21
cutlery basket	21
- loading the cutlery basket	21
starting a wash cycle	22
changing a programme	22
at the end of a programme	22
switching off the unit	23
unloading the dishwasher	23

delay start	23
half load	23
cleaning after use	24
external care.....	24
- the door and the door seal	24
- the control panel.....	24
internal care.....	24
- filtering system	24
spray arms.....	25
frost precaution	25
moving the dishwasher	25
maintenance after a prolonged period of non-operation	25
hints and tips	26
fault code.....	26
technical problems	26
disposal of the dishwasher	28
disposal of packing material	28
specifications	29
safety warnings	30

Thank you

for purchasing your new Kenwood Dishwasher.

These operating instructions will help you use it properly and safely.

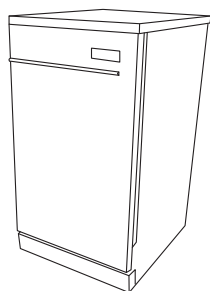
We recommend that you spend some time reading this installation/instruction manual in order that you fully understand all the operational features it offers.

Read all the safety instructions carefully before use and keep this installation/instruction manual for future reference.

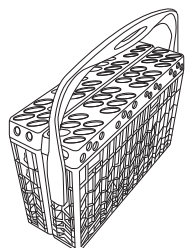
unpacking

Remove all packaging from the unit. Retain the packaging. If you dispose of it please do so according to local regulations.

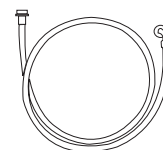
The following items are included:



The Main Unit



Cutlery Basket
P.N.: 673002200050



Normal Supply Hose X 1
P.N.: 673000900060



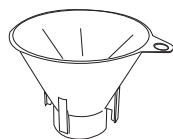
Detergent Measuring Spoon x 1
1 full spoon = 20g (approx.)
P.N.: 673002200079



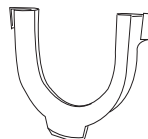
Measuring Cup X 1
60ml (approx)
P.N.: 673006200004



Condensation Strip X 1
P.N.: 675001300715



Salt Funnel X 1
P.N.: 673002200043



U-shape Hose Holder X 1
P.N.: 673006200003



Instruction Manual X 1
P.N.: KDW45X10-002



If items are missing, or damaged please contact Partmaster (UK only).
Tel: 0844 800 3456 for assistance.

installation

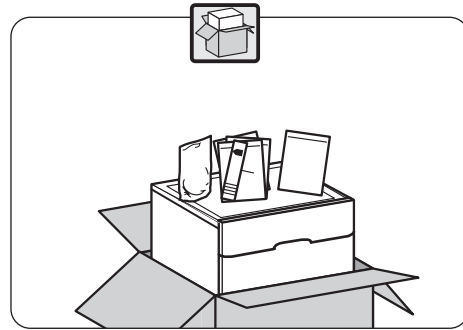
location

When selecting a position for your freestanding dishwasher you should make sure the installation surface is flat and firm, and the room is well ventilated. Avoid locating your dishwasher near a heat source, eg. cooker, boiler or radiator. Extreme cold ambient temperatures may also cause the appliance not to perform properly. This dishwasher is not designed for use in a garage or outdoor installation.

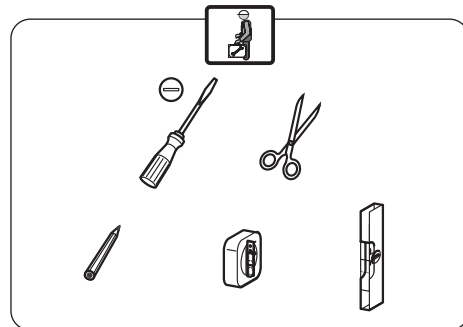
Do not drape the dishwasher with any covering. When installing, ensure that free space is left at the sides.



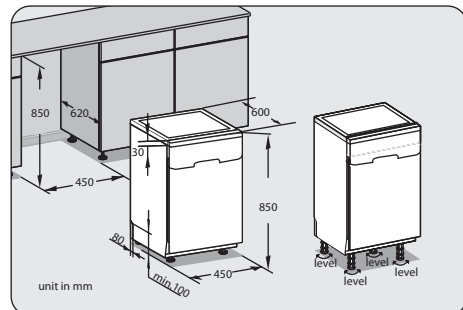
All parts removed must be saved to do the reinstallation in the future. Ensure the dishwasher is unplugged and empty. We recommend that 2 people handle the dishwasher during installation.



1. Please ensure the dishwasher is installed by a qualified technician. Refer to the tools required.



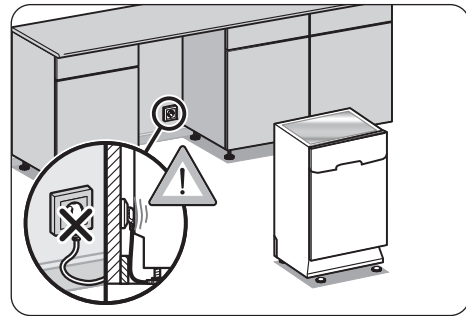
2. Ensure there is clearance each side of the unit to allow slight sideways movement for servicing when required. Good levelling is essential for correct closure and sealing of the door. When the unit is correctly levelled, the door should not catch the inner liner on either side of the cabinet. The adjustable feet may be loosened or tightened in order to obtain the optimum levelling of the unit.



installation

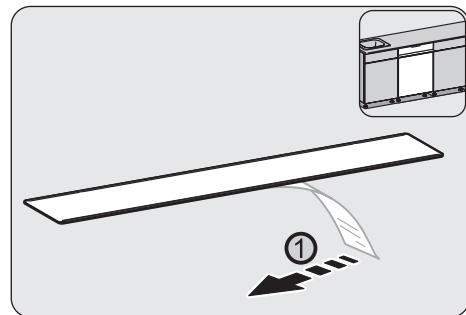
3. If required, the worktop of the dishwasher can be removed. The height without the worktop is 820 mm, the minimum dimensions required to accommodate the dishwasher within fitted kitchen furniture units.

Do not connect the unit to the mains before installation. Ensure you are not installing the unit right in front of the mains socket. This is to avoid potential damage to the back of the unit.



4. The condensation strip must be fitted to the underside of the worktop above your dishwasher to protect it against any moisture. Its purpose is to protect your worktop's underside from steam rising from the dishwasher.

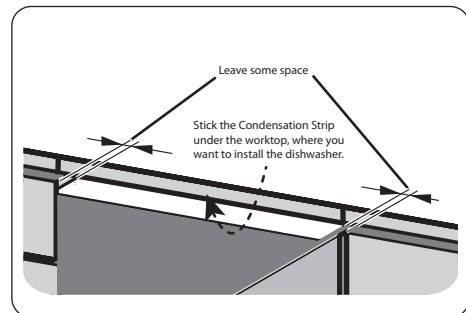
- Ensure the surface is clean prior to sticking the condensation strip to the underside of the worktop.
- Remove the backing paper from the condensation strip.



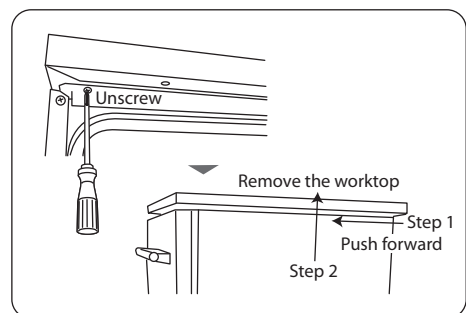
- Stick the condensation strip to the underside of the worktop.



Failure to attach the condensation strip could result in damage to the underside of your worktop!

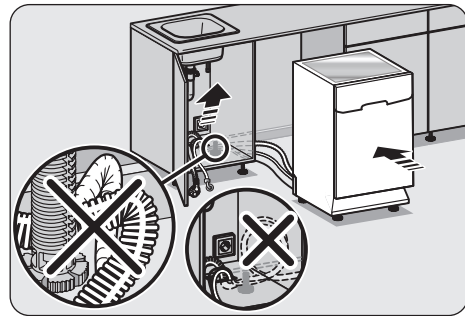


5. The worktop can be removed by removing the fixing screws located at the front of the dishwasher. After removing the screws, push the cover forward, then lift it away from the dishwasher.

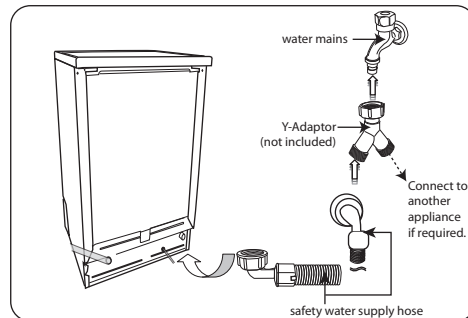


installation


- Position the dishwasher next to a water tap and a drain. Ensure the water inlet and drain hoses are not kinked or squashed. The unit must not stand on the mains cable.



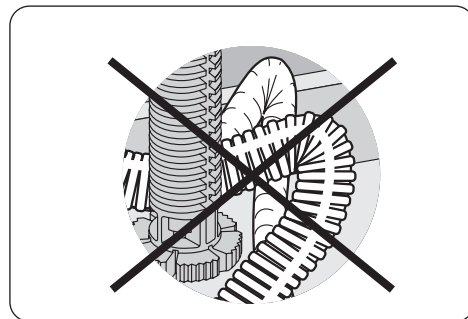
- Make sure your plumbing is suitable for use with the dishwasher. If in doubt contact a qualified plumber. This unit **MUST BE** connected to **COLD WATER MAINS** using the new water inlet hose. **OLD HOSE SETS MUST NOT BE RE-USED**. The water pressure from the water mains needs to be at a minimum of 0.04 MPa and a maximum of 1.00MPa.



- Connect one end of the safety water supply hose to your dishwasher, and then connect the other end of the hose to your water mains. Please ensure the black rubber seal is in place.
- After connecting the hose, turn on your water mains and check for leaks.
- Connect the dishwasher to the mains socket.

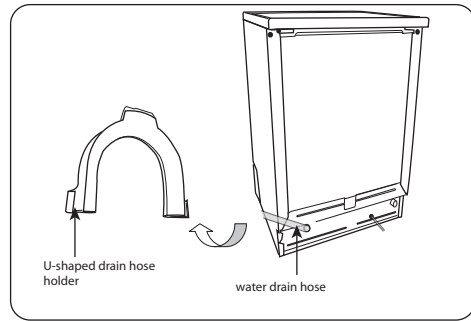
-  You may use a Y-adaptor (not included) for an additional water feed for another appliance, for example a washing machine. This is only applicable for cold water mains. A Y-adaptor is available from most DIY stores.

- Do not bend your drain hose.

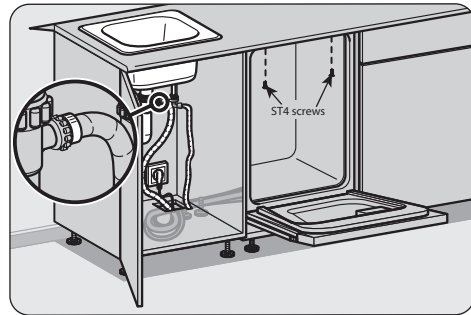
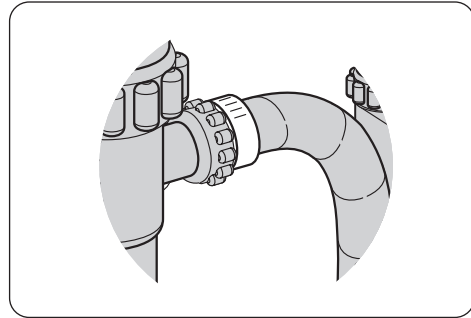


installation

- You may use the U-shaped drain hose holder to secure your drain hose and to avoid bending it.



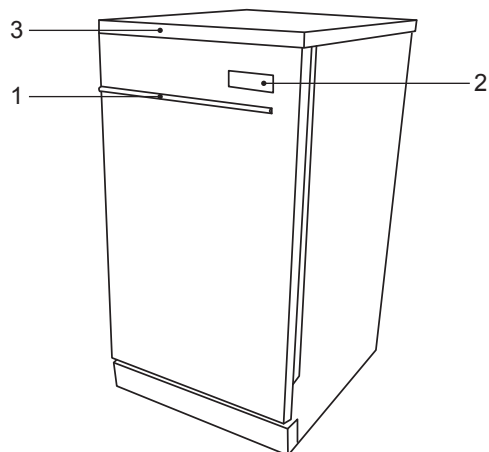
- Secure the water drain hose to the waste pipe to avoid it coming off during the washing process.



The waste pipe must only be connected to the foul drains and not the surface water drainage system. The water drain hose should be placed between 40 cm and 100 cm from the floor level and must not be extended, otherwise the unit may not be able to expel the waste water properly.

product overview

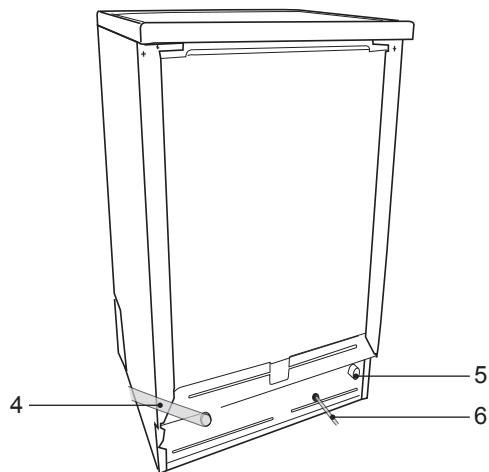
front view



- 1. door handle
- 2. display screen

- 3. control panel

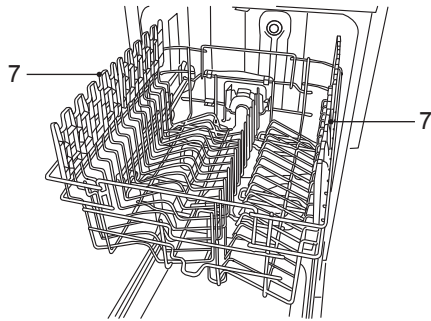
rear view



- 4. drain hose
- 5. water inlet
(connect to supply hose)

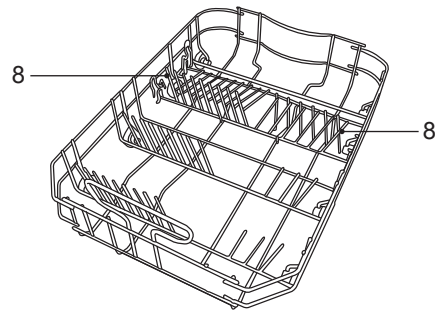
- 6. mains cable
(connect to electrical mains outlet)

upper basket



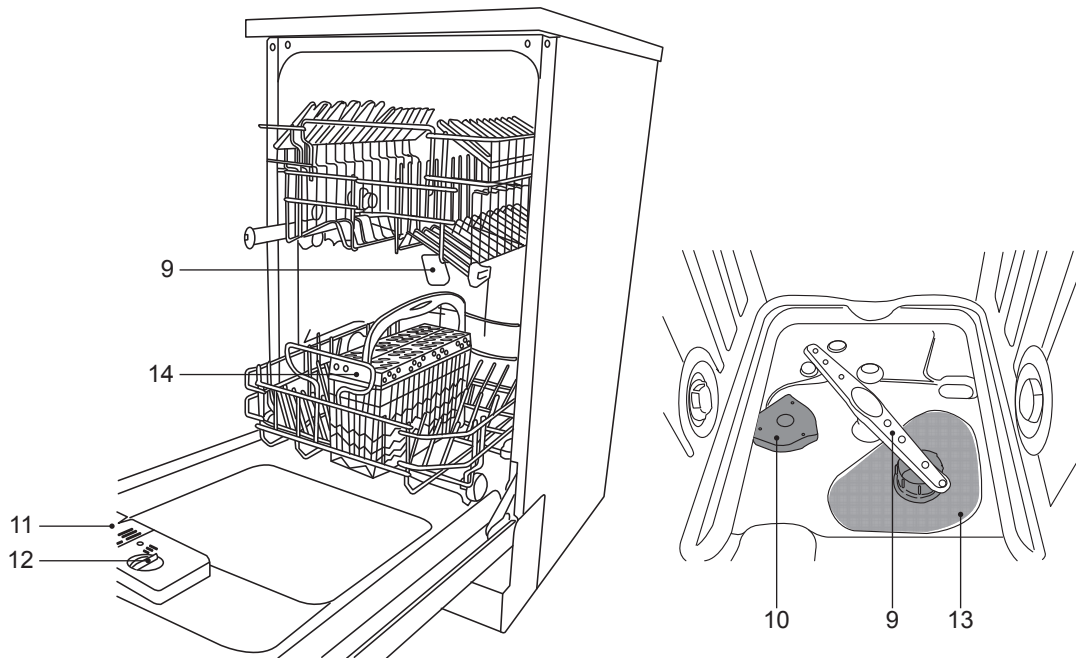
7. cup racks

lower basket



8. spikes

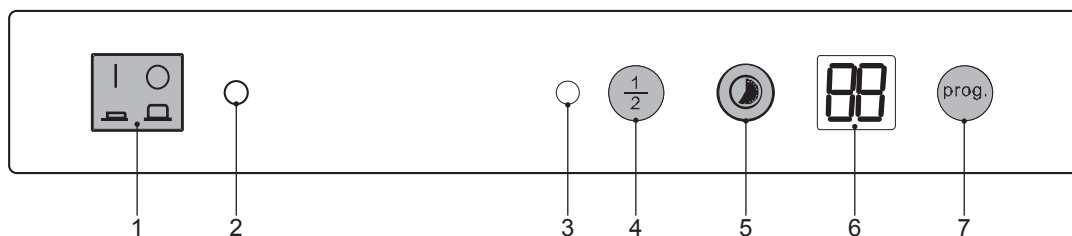
internal view



- 9. spray arms (1 - under upper basket and 1 - under lower basket)
- 10. salt reservoir
- 11. detergent dispenser (dual compartment)

- 12. rinse aid dispenser
- 13. filtering system
- 14. cutlery basket

control panel



1. on/off button

- to turn the dishwasher on and off.

2. power on light

- illuminates when on/off button is pressed.

3. half load indicator light

- illuminates when the half load washing cycle is selected.
- only the upper spray arms will be in function.
- load the soiled dishes in the upper basket.

4. half load washing button

- press this button to select the half load washing cycle.

5. delay start button

- to preset the wash timer and delay the starting time by up to 24 hours.
- each press of this button increases the delay start time by 1 hour intervals.

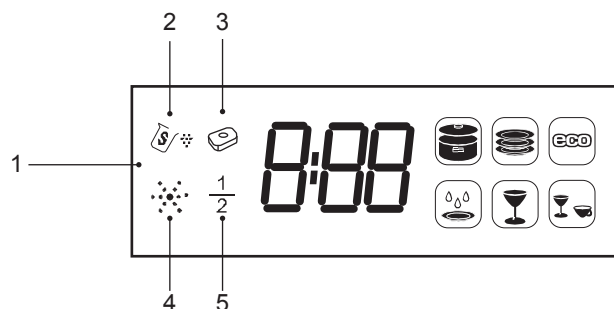
6. display window (control panel)

- displays selected programme, delay start time and fault codes etc.

7. programme button

- press this button to select the washing programme.

display screen



1. main display window

- displays salt refill warning light, 3 in 1 washing cycle light, rinse aid refill warning light, half load indicator light, delay start time, programme time, fault codes programme indicators etc.

2. salt refill warning light

- illuminates when the salt reservoir needs refilling.

3. 3 in 1 washing cycle light

- illuminates when the 3 in 1 washing cycle is selected.








4. rinse aid refill warning light

- illuminates when the rinse aid dispenser needs refilling.

5. half load indicator light

- illuminates when the half load washing cycle is selected.
- only the upper spray arms will be in function.
- load the soiled dishes in the upper basket.

wash cycle table

Programme	Cycle	Cycle Selection Information	Process	Detergent Amount (Pre-wash/ Main wash)	Running Time (min.)	Energy Consumption (Kwh)	Water Consumption (l)	Rinse Aid
3 in 1		<ul style="list-style-type: none"> • Pots, plates, glasses and lightly soiled pans. • Normally soiled. 	<ul style="list-style-type: none"> • pre-wash (50°C) • wash (50°C) • rinse (70°C) • drying 	• 3 in 1 detergent tablet	155	1	13	✗
intensive		<ul style="list-style-type: none"> • Pots, pans, casserole dishes. Dishes that have been sitting with dried food on them for a while. 	<ul style="list-style-type: none"> • pre-wash (50°C) • pre-wash • wash (65°C) • rinse (55°C) • drying 	<ul style="list-style-type: none"> • pre-wash (5g) • main wash (22g) 	120	1.2	18	✓
normal		<ul style="list-style-type: none"> • Pots, plates, glasses and lightly soiled pans. • Normally soiled. 	<ul style="list-style-type: none"> • pre-wash (50°C) • wash (50°C) • rinse (65°C) • drying 	<ul style="list-style-type: none"> • pre-wash (5g) • main wash (22g) 	150	0.95	13	✓
economy* (EN50242)		<ul style="list-style-type: none"> • Plates, glasses, bowls. • Lightly soiled. 	<ul style="list-style-type: none"> • pre-wash • wash (55°C) • rinse (65°C) • drying 	<ul style="list-style-type: none"> • pre-wash (5g) • main wash (22g) 	160	0.81	12	✓
rinse		<ul style="list-style-type: none"> • For dishes that need to be rinsed and dried only. 	<ul style="list-style-type: none"> • wash (40°C) • rinse (70°C) • drying 	• n/a	80	0.65	7	✗
glass		<ul style="list-style-type: none"> • Glasses, crystal and fine china. • A shorter wash for lightly soiled loads. 	<ul style="list-style-type: none"> • pre-wash • wash (40°C) • rinse (60°C) • drying 	• main wash (15g)	95	0.65	13	✓
rapid		<ul style="list-style-type: none"> • A shorter wash for lightly soiled loads that do not need drying. 	<ul style="list-style-type: none"> • wash (40°C) • rinse (45°C) 	• main wash (15g)	30	0.4	10	✗

* To comply with Standards of Performance, i.e. EN50242, please ensure to use economy washing cycle for the test.



Condensing dry technology

- Energy is saved by drying the dishes using the remaining heat after the last rinse cycle.
- Wash cycle times are extended due to this drying method.
- Some wash programmes do not have a drying function, please refer to the Wash Cycle Table for more details.

before operating

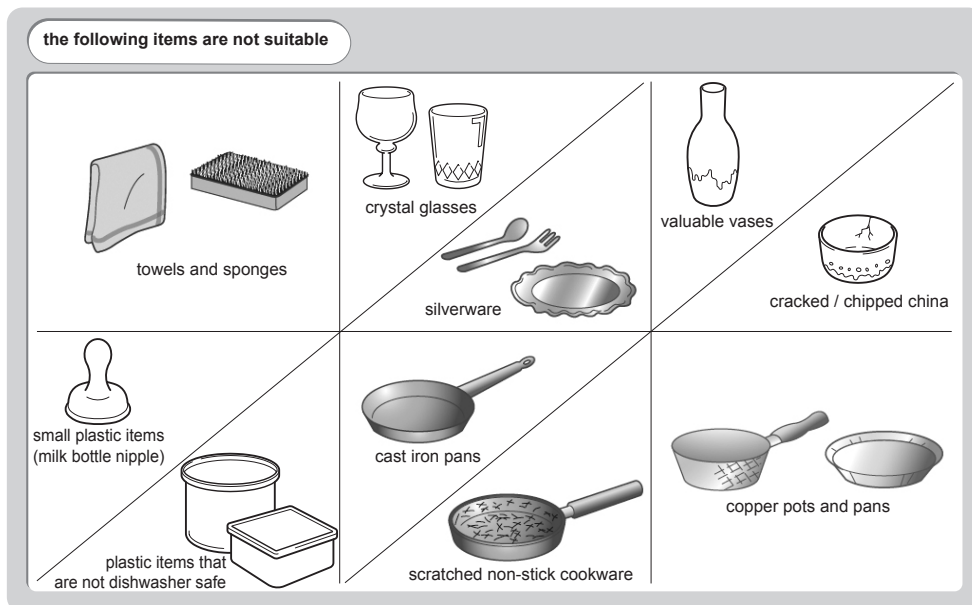
to open the door

- Pull the door handle.
- If the door is opened during operation all functions are automatically interrupted.

to close the door

- After loading the dishes, push the baskets fully into the dishwasher.
- Lift the door upwards and push until it clicks into position.
- Do not slam the dishwasher door.

items not suitable for use in the dishwasher



When purchasing new crockery and cutlery, please make sure they are dishwasher-proof. Some items are not suitable for dishwashers.

- Wooden cutlery and crockery or items with wooden parts may discolour and fade. The glue used in these items is not dishwasher-proof and wooden handles may come loose after being washed in a dishwasher.
- Craft items, antiques, valuable vases and decorative glassware are also not suitable for dishwashers.
- Plastic items (e.g. tupperware) which are not heat resistant may melt or loose shape due to the high temperature in the dishwasher.
- Copper, brass, tin and aluminium items may discolour or become matt.
- Clouding may occur on glasses and delicate glassware after frequent washing. Do not wash delicate glassware, or glassware containing lead crystal in a dishwasher. Wash delicate glassware by hand instead.
- Silver and aluminium parts have a tendency to discolour during washing. Residues like egg white, egg yolk and mustard often cause discolouring and staining on silver. Therefore, please clean the residues from silver immediately after use.

adding detergent or detergent tablet

Only use detergents specifically designed for use in dishwashers. To be more environmentally friendly, please use no more than the correct amount of detergent.

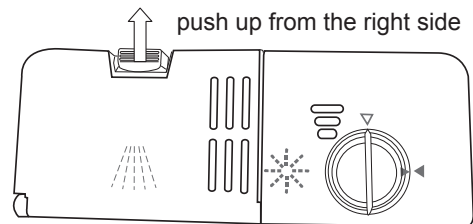


Keep out of the reach of children

- Irritating to eyes.
- Avoid contact with eyes. In case of contact with eyes, rinse immediately with plenty of water and seek medical advice.
- If swallowed, seek medical advice immediately.

Please follow the steps below to fill the detergent dispenser.

1. Push the button on the lid of the detergent dispenser in the direction of the arrow until the flap springs open.

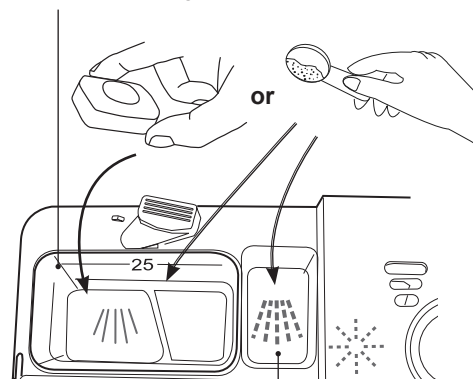


2. Fill the detergent dispenser with detergent powder or insert the detergent tablet. The marking indicates the filling level.



You can choose to add a detergent tablet alone or to add detergent powder to both the main wash detergent chamber and the pre-wash detergent chamber for your selected wash cycle. All programmes with pre-wash need an additional detergent dosage that must be placed in the pre-wash detergent chamber (please refer to the wash cycle table). This detergent will take effect during the pre-wash phase.

main wash detergent chamber



pre-wash detergent chamber

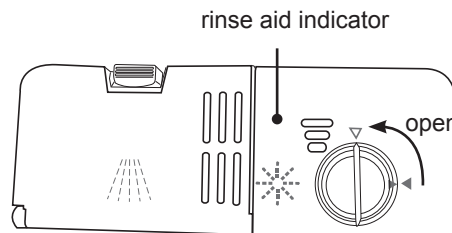
3. Close the lid firmly so that it clicks into place.

adding rinse aid

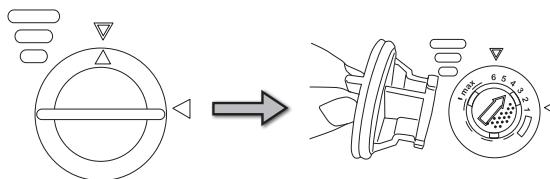
Rinse aid helps to ensure water does not cling and leave marks on crockery during the drying phase and helps crockery dry faster after it has been washed. Only pour rinse aid that is for domestic dishwashers into the reservoir. This model is designed to use liquid rinse aids only.

Please follow the steps below to pour the rinse aid into the storage reservoir, and the amount will dispense automatically.

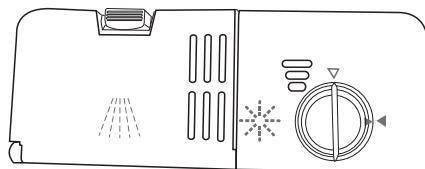
1. Turn the cap and open as indicated.



2. When the cap open marking is aligned, you may lift the cap up.



3. Pour the rinse aid in until the level indicator turns completely black in colour and close the cap.



4. Be careful not to overfill the reservoir. Wipe up any spills. The approximate volume of the rinse aid reservoir is 110ml.



If the water hardness in your area is soft, you may not need rinse aid as it may cause white film to develop on your dishes.

Rinse aid warning light will illuminate when the reservoir is running out of rinse aid and requires refilling.

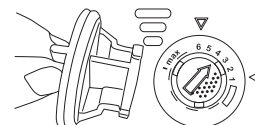


rinse aid warning light

Alternatively, you can judge the amount of rinse aid by checking the rinse aid indicator right next to the reservoir's cap. When the indicator is black, it means it is full. When it is clear, it means it is almost empty.

adjusting the rinse aid reservoir

The rinse aid reservoir has six settings. Both the recommended setting and the factory setting is "4." If the dishes are not drying properly or are spotted, adjust the dial to the next higher number until your dishes are spot-free.

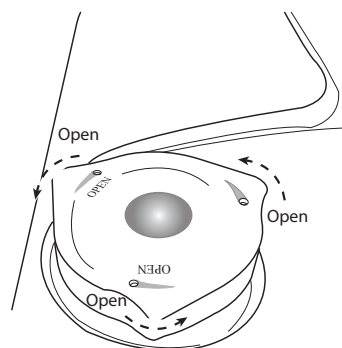


adding salt

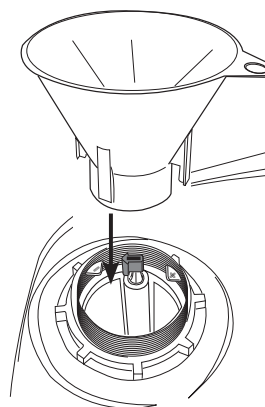
If the water in your area is hard, deposits will form on your dishes and utensils. This appliance contains a salt reservoir for you to reduce the hardness of the water.

Please follow the steps below to pour the salt into the salt reservoir and it must be set to correspond to the water hardness level in your area.

1. Remove the lower basket and unscrew the reservoir cap.



2. Fill the reservoir with approximately 500ml of water (first use only).
3. Place the funnel provided over the salt reservoir.



4. Pour in approximately 1.2kg of dishwasher salt depending on the brand used.
5. Clean any excess salt from around the reservoir opening and then screw the cap on again firmly.
6. Run the "rapid" wash programme immediately (without any crockery in the dishwasher) to remove any traces of salt from the compartment.

The salt warning light will illuminate when the reservoir is running out of salt and requires re-filling.

salt warning light → 

The salt warning light will cease to illuminate within a few days depending on how quickly the salt dissolves.

 $\frac{1}{2}$

adjusting salt consumption

Salt consumption must be adjusted to correspond to the water hardness level in your area. If you don't know how hard the water in your home is, please ask the company that supplies water in your area.

It is recommended that adjustments should be made in accordance with the following chart.

WATER HARDNESS				Selector Position	Salt Consumption (gram/cycle)	Number of cycle / 1.2 kgs
°dh	°fh	°Clark	mmol/l			
0-8	0-14	0-10	0-1.4	/	0	/
8-22	14-39	10-28	1.4-3.9	-	20	60
22-45	39-80	28-56	3.9-8	Mid	40	30
>45	>80	>56	>8	+	60	20



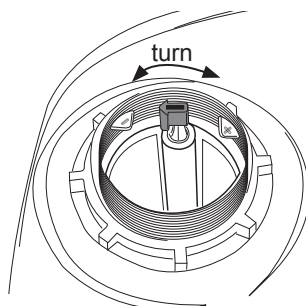
1 °dh (German degree) = 1.25mmol/l
1 °fh (French degree) = 0.178mmol/l
1 °Clark (British degree) = 1.78mmol/l



- Do not use everyday table salt or cooking salt as they contain insoluble substances which could damage the dishwasher.
- Do not pour detergent into the salt container. This will damage the dishwasher.

To optimise and customise the level of salt consumption, please follow the steps below to adjust the salt consumption.

1. Remove the lower basket and unscrew the reservoir cap.
2. There is an arrow-shaped indicator in the reservoir, which you can turn. You may turn it to the “-” or “+” settings based on the water hardness in your area.

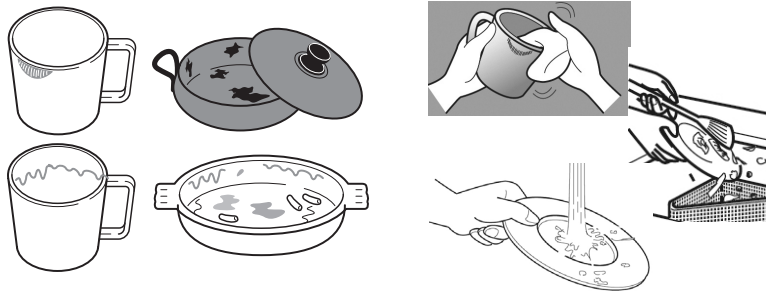


loading the dishwasher

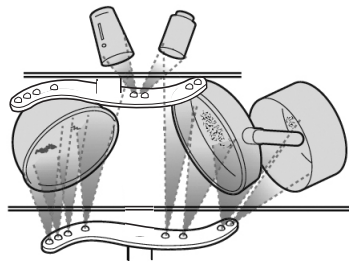
before loading the dishwasher

Please observe the following notes before loading your cutlery and crockery into the basket.

- Remove lipstick stains and any food residues from crockery and dishes. Rinse if necessary.



- Dishes and cutlery must not lay inside one another, or cover each other.
- Load your cutlery and crockery so that water can access all surfaces.



- Ensure all items are securely positioned.
- Hollow items such as cups, glasses, pans, etc. must be placed upside down in the basket.
- Wide based items should be placed at an angle so that water can run off them freely.
- The spray arms must not be blocked by items which are too tall or hang through the baskets. If in doubt, test for free movement by manually rotating the spray arms.
- Ensure that small items cannot fall through the holders in the baskets.



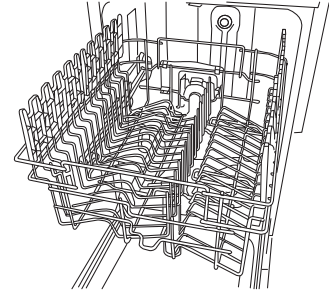
Do not wash items soiled with ash, sand, wax, lubricating grease or paint in the dishwasher. Ash does not dissolve and can distribute in the dishwasher. Wax, sand, lubricating grease and paint can cause damage to the dishwasher.



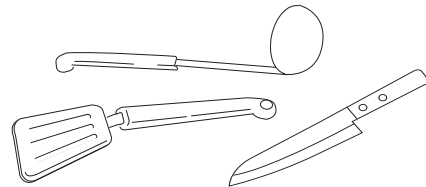
For safety reasons, do not operate the dishwasher without the upper and lower baskets in place.

upper basket

Please use the upper basket for small and lightweight items such as cups, saucers, glasses, dessert bowls, etc. Shallow pans or casserole dishes can also be placed in the upper basket.



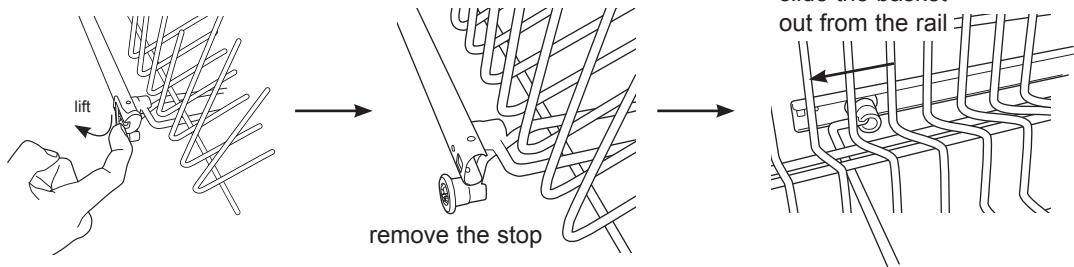
Long items such as soup ladles, mixing spoons and long knives should be placed lying down across the front of the upper basket.



adjusting the upper basket

More space can be created for large items on the upper or lower baskets by adjusting the height of the upper basket.

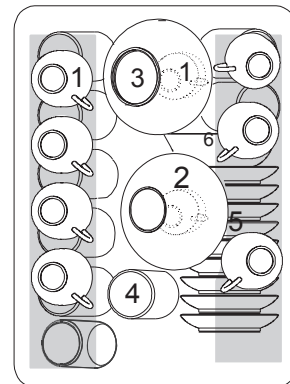
Ensure that the rail stop is placed back properly after the height adjustment.



loading the upper basket for 9 place settings

For loading the upper basket, please refer to the table below.

Number	Item
1	Cups
2	Small serving bowl
3	Large serving bowl
4	Glasses
5	Saucers
6	Dish

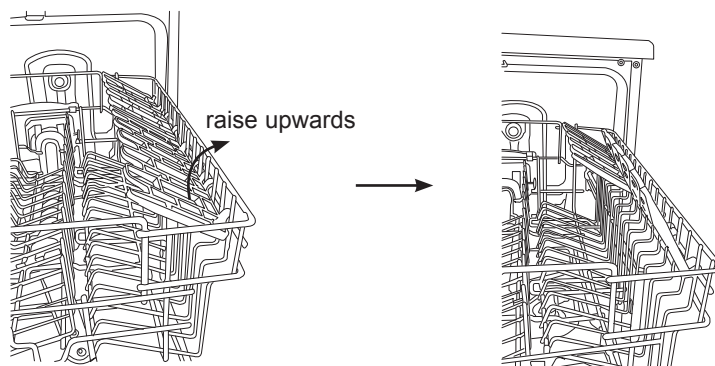


hinged cup rack

To make room for taller items in the upper basket, raise the cup rack upwards. You can then lean the tall glasses against it. You can also remove it when it is not required for use.

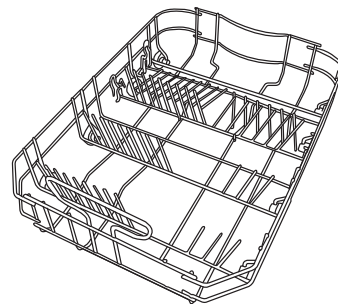


To prevent water dripping from the upper basket onto the dishes in the lower basket, we recommend that you empty the lower basket first and then the upper basket.



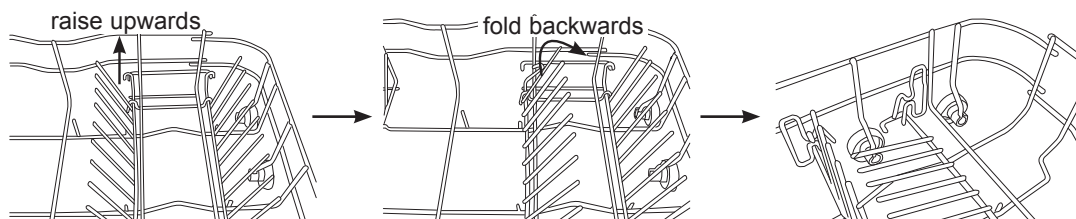
lower basket

We recommend that large and the most difficult to clean items are placed in the lower basket, such as plates, serving platters, saucepans, serving bowls, pots, pans, lids etc. We recommend placing serving dishes and lids at the side of the basket to avoid blocking the rotation of the spray arms.



hinged spikes

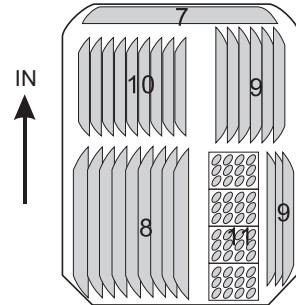
The spikes are used for holding plates and a platter. They can be lowered to make more room for large items. Please refer below for the steps to lower the spikes.



loading the lower basket

For loading the lower basket, please refer to the table below.

Number	Item
7	Oval platter
8	Dinner plates
9	Soup plates
10	Dessert dishes
11	Cutlery basket

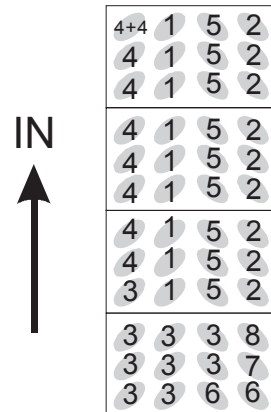


cutlery basket

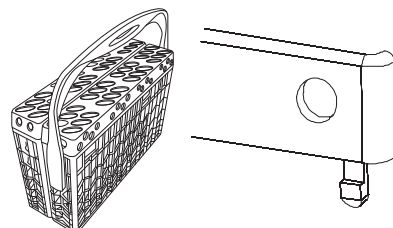
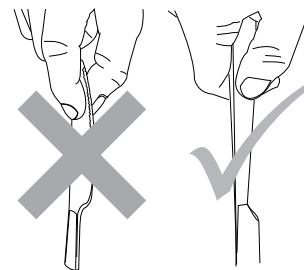
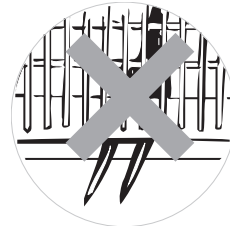
loading the cutlery basket

To make unloading much easier, cutlery should be grouped in zones and placed in the cutlery basket. Please refer to the table below for placement method.

Number	Item
1	Forks
2	Soup spoons
3	Dessert spoons
4	Teaspoons
5	Knives
6	Serving spoons
7	Gravy ladle
8	Serving fork



- Do not let any items extend through the bottom of baskets.
- To avoid the risk of injury, please load your knives and forks with handles upwards. Do not hold them by their sharp edges.
- The cutlery basket comes with covers, and they are designed for you to load the cutlery into the appropriate slots. If you use the basket without the cover, it may reduce the washing results of your cutlery.
- Please ensure the cover is securely locked to the basket before operation.
- To comply with Standards of Performance, i.e. EN50242, all cutlery must be loaded according to the instructions in this manual.



starting a wash cycle

Please follow the steps below to start a wash cycle.

1. Ensure the unit is connected to the mains power and the water supply is on (water pressure between 0.04MPa and 1.00MPa).
2. Open the door. Pull out the lower and upper baskets, load the dishes and push the baskets back. It is recommended that the lower basket is loaded first, and then the upper basket.
3. Pour in the detergent or place the detergent tablet in the detergent compartment and close firmly afterwards.
4. Select the wash cycle programme based on the loading and soil requirements. Please refer to the "Wash Cycle Table" (page 12).
5. Press the ON/OFF button.
6. The indicator light of the selected programme will illuminate.
7. Close the dishwasher door. A click sound should be heard when the door is closed correctly. Do not slam the door.
8. The washing cycle will begin shortly.



If you open the dishwasher door during the washing cycle and then close it, the dishwasher will continue the current washing programme after 10 seconds. However, if the door is not closed correctly after 1 minute, the dishwasher will make an audible sound at 1 minute intervals.

changing a programme

To change the programme if the washing cycle has already started, follow the steps below.

1. Open the door slightly to check if the unit has dispensed the detergent or detergent tablet. This will depend on how long the washing cycle was running for.
2. If the detergent dispenser lid is opened, we suggest that you allow the wash cycle to finish.
3. If the detergent dispenser lid is still closed, press the power on/off button to turn off the dishwasher. Press it again to turn on.
4. Press the programme button to select your preferred programme.
5. Close the dishwasher door. A click sound should be heard when the door is closed correctly. Do not slam the door.
6. The washing cycle will begin shortly.

at the end of a programme

At the end of a programme, the dishwasher will make an audible sound.



The condensation strip helps to prevent the risk of steam damage to the worktop edging above the dishwasher, it is advisable to leave the door closed until you are ready to unload the crockery. However, you can also open the dishwasher door fully and wait until the dishes and crockery are cool enough to unload. Do not leave the door only partially open.

switching off the unit

To save energy, remember to switch the dishwasher off using the ON/OFF button. The dishwasher will continue to use electricity until it is switched off with the ON/OFF button.

If the dishwasher is not going to be used for a long period of time, e.g. whilst on holiday, disconnect the unit from the mains supply.

unloading the dishwasher

Allowing dishes to cool down before unloading is important as dishes tend to break and chip more easily when they are hot. Therefore, if you open the dishwasher door fully after switching off, it will allow the dishes to cool down much faster.

We suggest:

Unload the lower basket first, followed by the cutlery basket and then the upper basket.

This will prevent water drops from the upper basket from falling onto the dishes in the lower basket.

delay start

The starting time of a washing programme can be delayed and adjusted. Please follow the steps below.

1. Open the dishwasher door and load your soiled dishes and crockery.
2. Press the ON/OFF button to turn on the dishwasher.
3. Select your preferred programme.
4. Press the “delay start” button.
5. Set the required delay start time using the “delay start” button.
6. Close the door and the unit will start the programme at the assigned time automatically.



Each press of this button increases the delay start time by 1 hour increments.

half load

In case you do not have enough dishes for a full load, the half load option can be selected for washing with upper spray only. Only load the dishes into the upper basket. This will save hot water and electricity usage. Please follow the steps below.

1. Open the dishwasher door and load your soiled dishes and crockery onto the upper basket.
2. Press the ON/OFF button to turn on the dishwasher.
3. Select your preferred programme.
4. Press the “1/2” button.
5. Close the door and the unit will start the programme with upper spray only.

cleaning after use

external care

the door and the door seal

1. Clean the door seals regularly with a soft damp cloth to remove food deposits.
2. When the dishwasher is being loaded, food and drink residues may drip onto the sides of the dishwasher door. These surfaces are outside the wash cabinet and are not accessed by water from the spray arms. Any deposits should be wiped off before the door is closed.

the control panel

If cleaning is required, the control panel should be wiped with a soft damp cloth **ONLY**.



- To avoid penetration of water into the door lock and electrical components, do not use a spray cleaner of any kind.
- Never use abrasive cleaners or scouring pads on the outer surfaces because they may scratch the finish. Some paper towels may also scratch or leave marks on the surface.

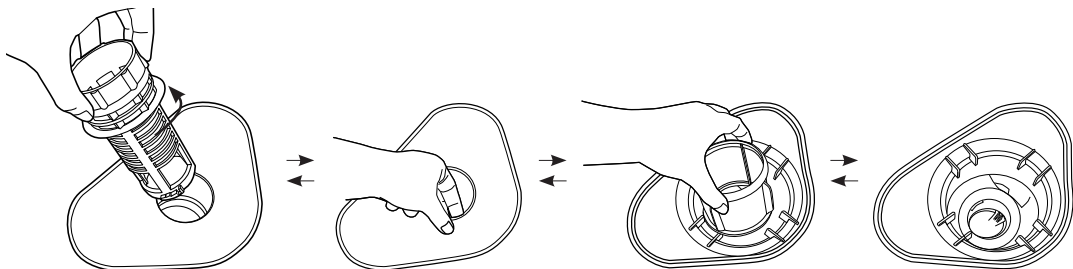
internal care

filtering system

The filtering system in the base of the wash cabinet captures large particles of suds solution. Build up of these particles may cause the filters to block. Check the condition of the filters regularly and clean them if necessary under running water.

Follow the steps below to clean the filters in the wash cabinet.

1. Ensure the dishwasher is switched off.
2. Unscrew the coarse filter, and gently lift it out.
3. Carefully lift the main filter out.
4. Carefully lift the fine filter out.
5. Rinse all the filters under running water, then refit all filters in the following order.
6. Carefully refit the fine filter with filter.
7. Carefully refit the main filter.
8. Gently screw in the coarse filter in a clockwise direction.

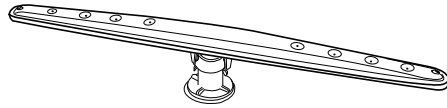


- Do not over tighten the filters. Put the filters back in the filter cylinder in sequence securely, otherwise the residue could get into the system and cause a blockage.
- **NEVER** use the dishwasher without the filters in place. Improper replacement of the filters may reduce the performance level of the appliance and damage dishes and utensils.

spray arms

Particles of food can get stuck in the spray arm jets and bearings. The spray arms should therefore be checked and cleaned regularly.

- Use a pointed object, eg. a cocktail stick, to loosen food particles in the spray arms' jets.



Do not attempt to remove the spray arms.

frost precaution

Avoid placing the dishwasher in a location where the temperature is below 0°C. If your appliance is left in an unheated place over the winter, you are advised to:

1. Disconnect the unit from the water inlet.
2. Turn on the unit. Select any washing cycle and let it run for 1 minute only. This will allow all the excessive water that remains in the unit to drain out.
3. Disconnect from the mains.
4. Empty the dishwasher.
5. Close the dishwasher's door.
6. Disconnect the unit from the water drain. Use a suitable receptacle to catch the water.

Should you encounter any difficulties with the above steps, please ask a service technician for assistance.

moving the dishwasher

If you have to move the unit, for instance due to moving house, you are advised to:

1. Disconnect the dishwasher from the mains.
2. Disconnect the unit from the water inlet and drain. Use a suitable receptacle to catch the water.
3. Remove the unit from the current location with the hoses discharged.
4. Pull the unit out together with the hoses.



-
- Avoid over tilting the unit during transportation.
 - We recommend that 2 people handle the dishwasher during installation.
-

maintenance after a prolonged period of non-operation

If you are not going to use the unit for a prolonged period of time, you are advised to:

1. Disconnect the dishwasher from the mains.
2. Disconnect the unit from the water inlet and drain. Use a suitable receptacle to catch the water.
3. Open the door slightly to prevent unpleasant smells building up in the compartment.
4. Ensure the washing compartment of the dishwasher is clean.

hints and tips



Repairs should only be carried out by a qualified technician in strict accordance with current local and national safety regulations. Unauthorised or incorrect repairs could cause personal injury or damage to the unit.

fault code

Codes	Possible Causes	Remedy
E1	Water tap is not turned on.	Turn on the water tap.
	Low water pressure (<0.04MPa)	Turn on the water tap and ensure it is in full position.
	Flow meter is broken.	Disconnect from the mains. Disconnect the water inlet. Call a qualified technician.
	The wire terminals which connect the flow meter are loose.	
E4	The tank is leaking.	Disconnect from the mains. Disconnect the water inlet. Call a qualified technician.
	The hose is leaking.	
	The float switch is broken or PCB is faulty.	

technical problems

Technical problems		
Problem	Possible Causes	Remedy
The dishwasher does not start.	The door is not properly closed.	Close the door firmly.
	The unit is not connected to the mains.	Connect the plug to the mains.
	The unit is not switched on.	Press the "on" button and select a programme.
The drain pump is not working properly.	Fault code E4 - The anti-flooding system has operated.	Disconnect from the mains. Disconnect the water inlet. Call a qualified technician.

General problems		
Problem	Possible Causes	Remedy
Detergent residue is left in the dispenser at the end of the programme.	The detergent dispenser was still damp when detergent was added.	Make sure the dispenser is dry before adding detergent.
The detergent dispenser lid cannot be closed properly.	Clogged detergent residue is blocking the catch.	Clean the catch.
Knocking noise in the wash cabinet.	A spray arm is knocking against an item in a basket.	Interrupt the programme, and rearrange the items which are obstructing the spray arm. See the section "loading the dishwasher".
Smearing appears on glassware and cutlery.	The rinse aid dosage is set too high.	Adjust the dial of the rinse aid dispenser to a lower setting.
Dishes, cutlery and glasses are not dry.	The amount of rinse aid may be insufficient, or the rinse aid reservoir is almost empty.	Replenish the reservoir, adjust the rinse aid dispenser dial to a higher setting or change the brand of rinse aid.
	Crockery was taken out of the dishwasher too soon.	Leave the crockery in the dishwasher until you hear an audible sound.
White residue is visible on cutlery and crockery, clouding occurs on glassware; film can be wiped off.	Not enough rinse aid was used.	Replenish the reservoir, adjust the rinse aid dispenser dial to a higher setting or change the brand of rinse aid.
	There is not enough salt in the salt reservoir.	Fill the salt reservoir.
	The salt reservoir cap has not been screwed on correctly.	Ensure that it is screwed back on correctly.
	Unsuitable detergent has been used.	Change your detergent. Use a dishwasher standard powder detergent.
	The salt consumption setting is too low.	Select a higher salt consumption setting.
Glassware is dull and discoloured; film cannot be wiped off.	The glassware is not dishwasher proof. The surfaces are affected.	Wash the non-dishwasher proof glassware by hand.
Tea or lipstick stains have not been completely removed.	The wash temperature of the selected programme was too low.	Select a programme with a higher wash temperature.
	The bleaching effect of the detergent used is too low.	Change your detergent.
	Forgot to pre-rinse or remove the stains with a napkin prior to washing.	Pre-rinse or remove the stains with a napkin prior to washing.

disposal of the dishwasher

- When disposing your old dishwasher, first make it unusable. Disconnect the hoses and unplug the mains cable. Cut off the mains cable from the dishwasher. Make the door lock inoperative, so that children cannot accidentally shut themselves in. Make appropriate arrangements for the disposal of the dishwasher.
- At the end of its working life, the product must not be disposed of as urban waste. It must be taken to a special local authority differentiated waste collection centre or to a dealer providing this service. Disposing of a household appliance separately avoids possible negative consequences for the environment and health deriving from inappropriate disposal and enables the constituent materials to be recovered to obtain significant savings in energy and resources. As a reminder of the need to dispose of household appliances separately the product is marked with a crossed out wheeled dustbin.
- Please ensure that it presents no danger to children while being stored for disposal.

disposal of packing material

Please dispose of the plastic wrappings and bags safely and keep out of the reach of babies and young children.

specifications

Model	KDW45X10
Dimensions	450mm (W) x 600mm (D) x 850mm (H)
Capacity	9 Place Settings
Water Pressure Required	0.04 - 1.00MPa
Power Consumption	1930W
Rated Voltage	230V/50Hz

Features and specifications are subject to change without prior notice

safety warnings

general use

- Switch off and unplug before fitting or removing tools/attachments, after use and before cleaning.
- Keep your fingers away from moving parts and fitted attachments.
- Never use a damaged machine.
- Keep the mains cable out of reach from children.
- Keep power unit, mains cable and plug away from water.
- Never exceed the maximum capacities.
- When using an attachment, read the safety instructions.
- Take care when lifting this appliance.
- This appliance is not intended for use by persons (including children) with reduced physical, sensory or mental capabilities, or lack of experience and knowledge, unless they have been given supervision or instruction concerning the use of the appliance by a person responsible for their safety.
- Children should be supervised to ensure that they do not play with the appliance.
- Only use the appliance for its intended domestic use. The company responsible for this product, DSG Retail Limited, will not accept any liability if the appliance is subject to improper use, or failure to comply with these instructions.

WARNING!

- Improper connection of the equipment-earthing conductor could result in a risk of electric shock.
- The wires in the cord are coloured as follows:
 - Green and Yellow = Earth,
 - Blue = Neutral,
 - Brown = Live.
- Check with a qualified electrician or service representative if you are in doubt whether the appliance is properly earthed or the plug does not fit correctly.
- Never modify the plug provided with the appliance.

proper use

- Do not sit or stand on the door or dish rack.
- Do not touch the heating element during or immediately after use.
- Do not operate your dishwasher unless all enclosure panels are properly in place. Open the door very carefully when there is a programme running as there is a risk of hot water spraying out of the appliance.
- Do not place any heavy objects on the open door. The appliance could tip over.
- When loading items to be washed:
 1. Locate sharp items so that they will not damage the door seal;
 2. Warning: Knives and other utensils with sharp points must be loaded in the basket with the points downwards or placed horizontally.
- Do not allow plastic items to come into contact with the heating element.
- Check that the detergent receptacle is empty after completion of the wash cycle.
- Do not wash plastic items unless they are marked dishwasher safe or equivalent.
- Use only detergent and rinse aids designed for an automatic dishwasher.
- Other means for disconnection from the mains power supply must be incorporated in the fixed wiring with at least 3mm contact separation in all poles.
- Keep children away from detergents and rinse aids. These may cause chemical burns in the mouth, throat and eyes or asphyxiation.
- Keep children away from the dishwasher when the door is open.
- The door should not be left in the open position since this could present a tripping hazard.
- For energy saving, always remember to switch the dishwasher off when you have finished using it. The dishwasher should not be left unattended when in use.

- If the mains cable is damaged, it must be replaced by the manufacturer or its service agent in order to avoid a hazard.
- Remove the door to the washing compartment when removing an old dishwasher from service or discarding it.
- During installation, the mains cable must not be excessively or dangerously bent or flattened.
- Do not tamper with controls.
- The appliance is to be connected to the water mains using new hose sets.
- The maximum number of place settings to be washed is 9.
- The maximum permissible inlet water pressure is 1Mpa, and the minimum permissible inlet water pressure is 0.04Mpa.



earthing instructions

WARNING: THIS APPLIANCE MUST BE EARTHED.

- This appliance is equipped with a mains cable having an equipment-earthing conductor and an earthing plug.
- The plug must be plugged into an appropriate mains socket that is installed and earthed in accordance with local standards and requirements.

NOTE: If you require a replacement for any of the items listed below, please quote their corresponding part numbers:

Replacement Part	Part Number
Cutlery Basket	673002200050
Normal Supply Hose	673000900060
Detergent Measuring Spoon	673002200079
Measuring Cup	673006200004
Condensation Strip	675001300715
Salt Funnel	673002200043
U-shape Hose Holder	673006200003

Partmaster
CO.UK

Visit Partmaster.co.uk today for the easiest way to buy electrical spares and accessories. With over 1 million spares and accessories available we can deliver direct to your door the very next day. Visit www.partmaster.co.uk or call 0844 800 3456 (UK customers only) Calls charged at National Rate.



This symbol on the product or in the instructions means that your electrical and electronic equipment should be disposed at the end of its life separately from your household waste. There are separate collection systems for recycling in the EU.

For more information, please contact the local authority or your retailer where you purchased the product.



DSG Retail Limited is responsible for after sales service. If you have a query about the product please contact our product support line 0844 561 6263 (Currys).

DSG Retail Ltd • Maylands Avenue • Hemel Hempstead • Herts • HP2 7TG • England

kenwoodworld.com

KENWOOD
CREATE MORE

(P.N.: KDW45X10-002)