



currys essentials

TABLE TOP DISHWASHER

INSTALLATION/INSTRUCTION MANUAL
CDWTT11



Contents

Unpacking	4
Installation	5
Location	5
Product Overview	8
Front View	8
Rear View	8
Dishwasher Basket and Cutlery Basket.....	9
Internal View.....	9
Control Panel.....	10
Wash Cycle Table	11
Before Operating	12
To Open the Door.....	12
To Close the Door	12
Items Not Suitable for Use in the Dishwasher.....	12
Adding Detergent or Detergent Tablet	13
Adding Rinse Aid	14
Adjusting the Rinse Aid Reservoir	14
Adding Salt	15
Loading the Dishwasher	16
Before Loading the Dishwasher	16
Dishwasher Basket	17
Hinged Cup Rack	17
Hinged Spikes	17
Loading the Dishwasher Basket for 6 Place Settings.....	18
Cutlery Basket	18
Loading the Cutlery Basket.....	18
Starting a Wash Cycle	19
Changing a Programme	19
At the End of a Programme	19
Switching Off the Unit	20
Unloading the Dishwasher	20
Cleaning After Use	21
External Care	21
The Door and the Door Seal	21
The Control Panel	21
Internal Care	21
Filtering System.....	21
Spray Arms.....	22



Frost Precaution	22
Moving the Dishwasher	22
Maintenance After a Prolonged Period of Non-Operation	22
Hints and Tips	23
Fault Code	23
Technical Problems	23
Disposal of the Dishwasher	25
Disposal of Packing Material	25
Specifications.....	26
Safety Warnings.....	27



Thank you for purchasing the new Currys Essentials Table Top Dishwasher.

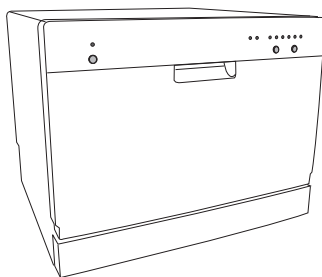
We recommend that you spend some time reading this installation/instruction manual in order that you fully understand all the operational features it offers.

Read all the safety instructions carefully before use and keep this installation/instruction manual for future reference.

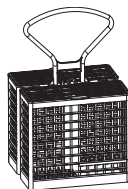
Unpacking

Remove all packaging from the unit. Retain the packaging. If you dispose of it please do so according to local regulations.

The following items are included:



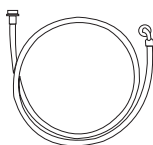
The Main Unit



Cutlery Basket
P.N.: 673006200014



This product has been wet tested to ensure correct operation. As a result some water may remain inside the unit. This is normal and safe. Remove any water droplets from the exterior if necessary.



Water Supply Hose X 1
P.N.: 673000900060



Drain Hose X 1
P.N.: 673005400041



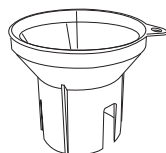
Drain Hose Mounting
Clamp X 1
P.N.: 672005400002



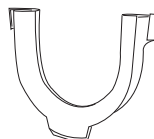
Detergent Measuring Spoon X 1
1 full spoon = 20g (approx.)
P.N.: 673002200079



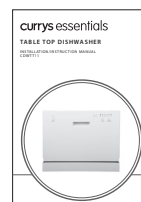
Measuring Cup X 1
60ml (approx.)
P.N.: 673006200004



Salt Funnel X 1
P.N.: 673002200001



U-Shape Hose Holder X 1
P.N.: 673006200003



Instruction Manual X 1
P.N.: CDWTT11-001



If items are missing, or damaged please contact Partmaster (UK only).
Tel: 0844 800 3456 for assistance.

INSTALLATION

Location

When selecting a position for your freestanding dishwasher you should make sure the installation surface is flat and firm, and the room is well ventilated. Avoid locating your dishwasher near a heat source, eg. cooker, boiler or radiator. Extreme cold ambient temperatures may also cause the appliance not to perform properly. This dishwasher is not designed for use in a garage or outdoor installation.

Do not drape the dishwasher with any covering. When installing, ensure that free space is left at the sides.

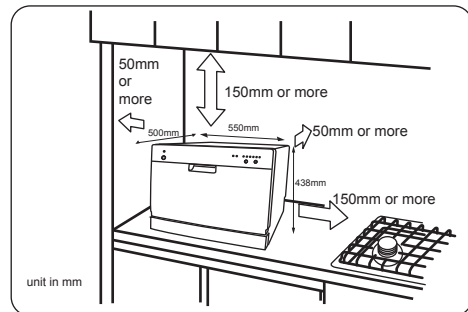
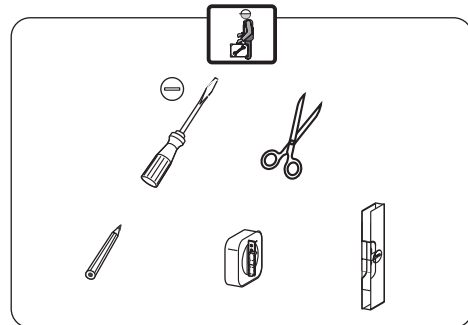
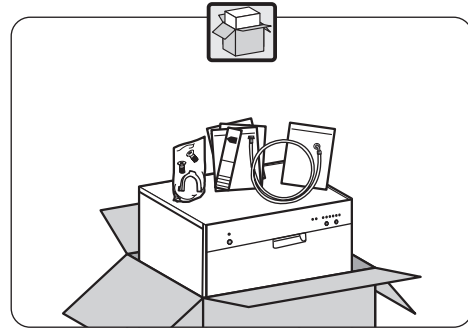


All parts removed must be saved to do the reinstallation in the future. Ensure the dishwasher is unplugged and empty. We recommend that 2 people handle the dishwasher during installation.

1. Please ensure the dishwasher is installed by a qualified technician. Refer to the tools required.

2. Ensure there is clearance each side of the unit to allow slight sideways movement for servicing when required. Good levelling is essential for correct closure and sealing of the door. When the unit is correctly levelled, the door should not catch the inner liner on either side of the cabinet.

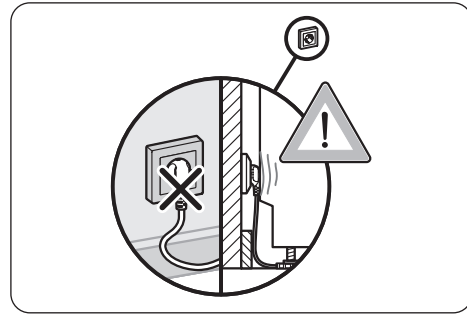
The dimension of the dishwasher is 550(W) x 500(D) X 438(H) in mm. The figure outlines the minimum dimensions required to accommodate the table top dishwasher. Protect plastic parts and cables from high temperatures.



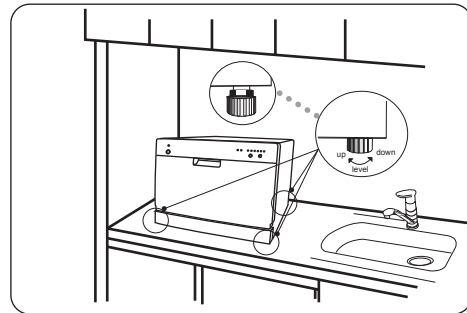
INSTALLATION

3. Do not connect the unit to the mains socket before installation. Ensure you are not installing the unit right in front of the mains socket. This is to avoid potential damage to the back of the unit.

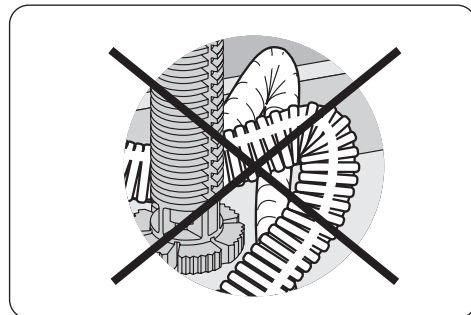
After installing the appliance, ensure that the mains plug is easily accessible.



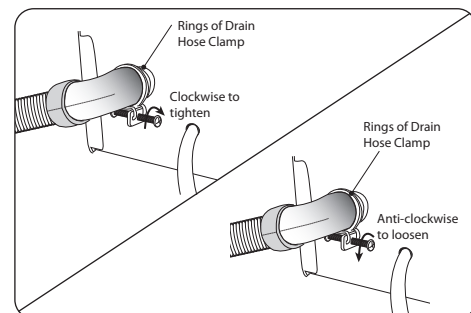
4. The electrical connection conditions must correspond with the specifications on the rating plate of the dishwasher. Do not use extension cables.
5. Position the unit next to a water tap and a drain. Level the unit if needed.



6. Ensure the water inlet and drain hoses are not kinked or squashed. The unit must not stand on the electrical supply cable.



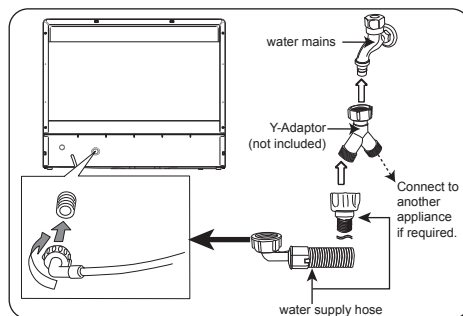
7. Loosen the rings of the drain hose clamp by turning the screw in anti-clockwise direction. Then, insert the drain hose through the rings of the Drain Hose Clamp to the drain outlet firmly. Tighten the drain hose clamp by turning the screw in clockwise direction to secure the connection between the drain hose and the drain outlet.



INSTALLATION

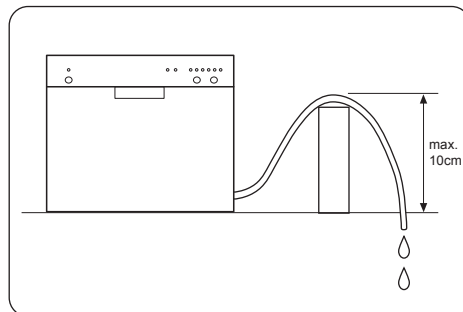
8. Make sure your plumbing is suitable for use with the dishwasher. If in doubt contact a qualified plumber. This unit **MUST BE** connected to **COLD WATER MAINS** using the new water inlet hose. **OLD HOSE SETS MUST NOT BE RE-USED.** The water pressure from the water mains needs to be at a minimum of 0.04 MPa and a maximum of 1.00MPa.

- Connect one end of the safety water supply hose to your dishwasher, and then connect the other end of the hose to your water mains. Please ensure the black rubber seal is in place.
- After connecting the hose, turn on your water mains and check for leaks.
- Connect the dishwasher to the mains socket.



You may use a Y-adaptor (not included) for an additional water feed for another appliance, for example a washing machine. This is only applicable for cold water mains. A Y-adaptor is available from most DIY stores.

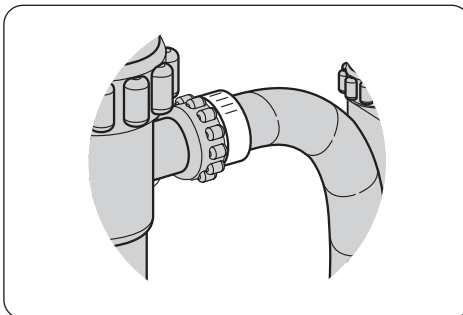
- Do not bend your drain hose.
- Do not lift the drain hose higher than 10 cm from the table top, otherwise the unit may not be able to expel the waste water properly.



- Secure the water drain hose to the waste pipe to avoid it coming off during the washing process.

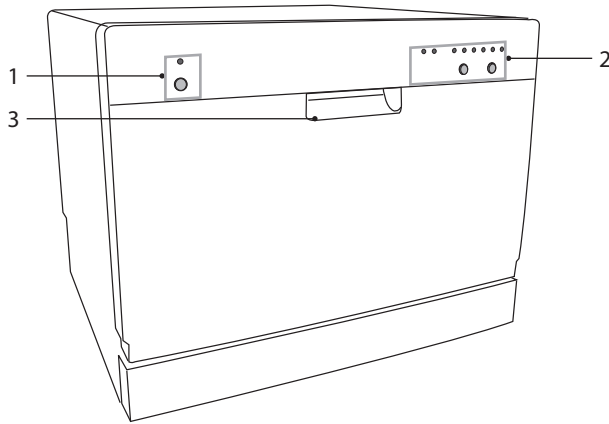


- The waste pipe must only be connected to the foul drains and not the surface water drainage system.
- The water drain hose should be placed lower than 10cm from the table top and must not be extended, otherwise the unit may not be able to expel the waste water properly.
- You may use the u-shaped drain hose holder to secure your drain hose and to avoid bending it.



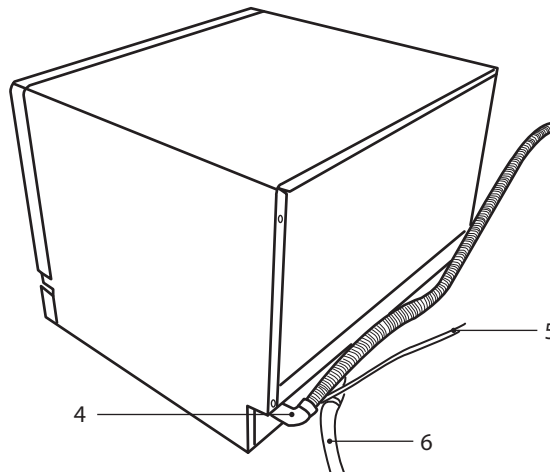
Product Overview

Front View



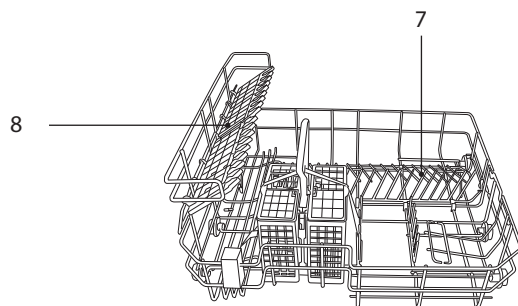
1. Power Button and Indicator Light
2. Control Panel
3. Door Handle

Rear View



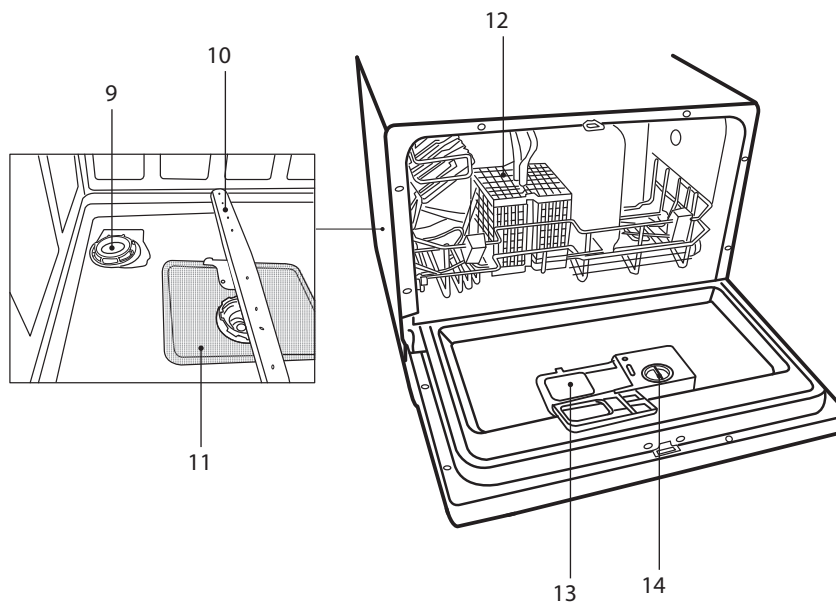
4. Drain hose
5. Mains Cable (Connect To Electrical Mains Socket)
6. Water Inlet (Connect To Supply Hose)

Dishwasher Basket and Cutlery Basket



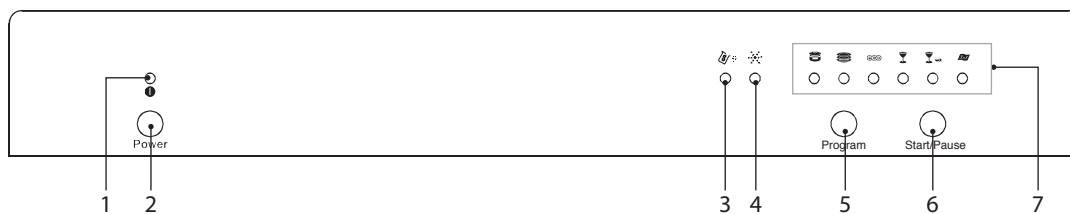
- 7. Spikes
- 8. Cup Racks

Internal View



- 9. Salt Reservoir
- 10. Spray Arms
- 11. Filtering System
- 12. Cutlery Basket
- 13. Detergent Dispenser (Dual Compartment)
- 14. Rinse Aid Dispenser

Control Panel



1. Power Indicator

- The LED light will illuminate when the dishwasher is on.

2. On / Off Button

- To turn the dishwasher on and off.

3. Salt Refill Warning Light

- Illuminates when the salt reservoir needs refilling.

4. Rinse Aid Refill Warning Light

- Illuminates when the rinse aid dispenser needs refilling.

5. Programme Button

- To select your required washing programme.
- Each press of this button switches from one washing programme to another.

6. Start/Pause button

- To confirm and start the selected washing programme.
- To reset the washing programme.

7. Programme Indicators

- Illuminate when the washing programme has been selected.
- Flashes when the selected washing programme is running.

Wash Cycle Table

Programme	Cycle	Cycle Selection Information	Process	Detergent Amount (Pre-wash/ Main wash)	Running Time (min.)	Energy Consumption (Kwh)	Water Consumption (l)	Rinse Aid
Intensive		<ul style="list-style-type: none"> • Pots, utensils and cutlery. • Highly soiled. 	<ul style="list-style-type: none"> • Pre-wash (50°C) • Wash (70°C) • Rinse (70°C) • Drying 	<ul style="list-style-type: none"> • Prre-wash (3g) • Main Wash (15g) 	145	0.94	11	✓
Normal		<ul style="list-style-type: none"> • Pots, utensils and cutlery. • Normally soiled. 	<ul style="list-style-type: none"> • Pre-wash • Wash (60°C) • Rinse (70°C) • Drying 	<ul style="list-style-type: none"> • Prre-wash (3g) • Main Wash (15g) 	125	0.7	8.4	✓
Economy* (EN50242)		<ul style="list-style-type: none"> • A shorter wash for lightly soiled items. 	<ul style="list-style-type: none"> • Pre-wash • Wash (55°C) • Rinse (70°C) • Drying 	<ul style="list-style-type: none"> • Prre-wash (3g) • Main Wash (15g) 	170	0.63	8.4	✓
Glass		<ul style="list-style-type: none"> • Glasses, crystal and fine china. • Lightly soiled. 	<ul style="list-style-type: none"> • Pre-wash • Wash (45°C) • Rinse (60°C) • Drying 	<ul style="list-style-type: none"> • Main Wash (15g) 	75	0.48	6.8	✓
Rapid		<ul style="list-style-type: none"> • Glasses and cups. • Lightly soiled. 	<ul style="list-style-type: none"> • Wash (40°C) • Rinse (45°C) 	<ul style="list-style-type: none"> • Main Wash (15g) 	30	0.3	6	✓
3-in-1		<ul style="list-style-type: none"> • Utensils and cutlery. • Normally soiled. 	<ul style="list-style-type: none"> • Pre-wash • Wash (60°C) • Rinse (70°C) • Drying 	<ul style="list-style-type: none"> • Use 3 in 1 detergent tablet only. 	140	0.7	8.4	✗

* To comply with Standards of Performance, i.e. EN50242, please ensure to use economy washing cycle for the test.



Condensing dry technology

- Energy is saved by drying the dishes using the remaining heat after the last rinse cycle.
- Wash cycle times are extended due to this drying method.
- Some wash programmes do not have a drying function, please refer to the Wash Cycle Table for more details.

Before Operating

To Open the Door

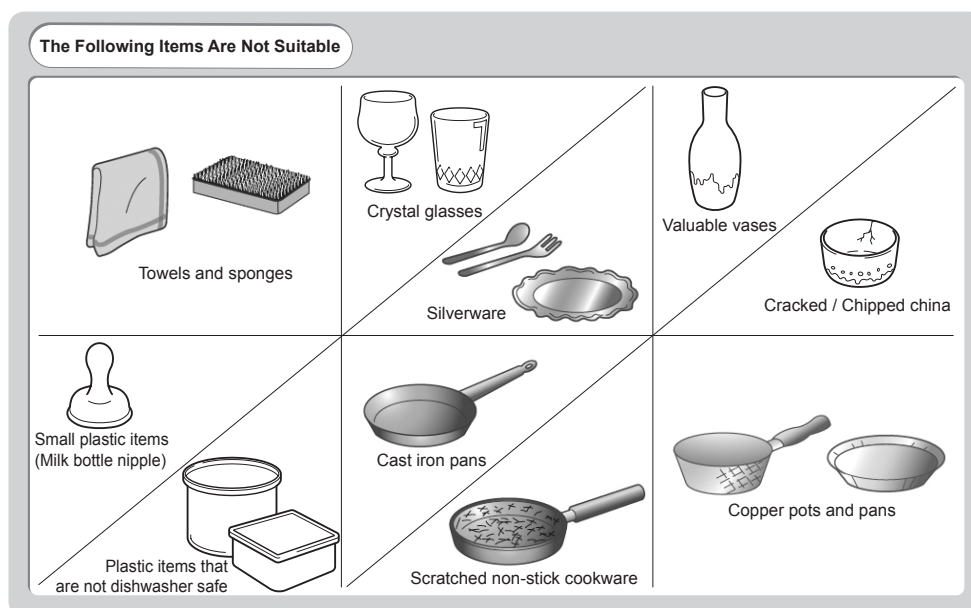
- Pull the door handle.
- If the door is opened during operation all functions are automatically interrupted.

To Close the Door

- After loading the dishes, push the baskets fully into the dishwasher.
- Lift the door upwards and push until it clicks into position.
- Do not slam the dishwasher door.

Items Not Suitable for Use in the Dishwasher

When purchasing new crockery and cutlery, please make sure they are dishwasher-proof. Some items are not suitable for dishwashers.



- Wooden cutlery and crockery or items with wooden parts may discolour and fade. The glue used in these items is not dishwasher-proof and wooden handles may come loose after being washed in a dishwasher.
- Craft items, antiques, valuable vases and decorative glassware are also not suitable for dishwashers.
- Plastic items (e.g. tupperware) which are not heat resistant may melt or loose shape due to the high temperature in the dishwasher.
- Copper, brass, tin and aluminium items may discolour or become matt.
- Clouding may occur on glasses and delicate glassware after frequent washing. Do not wash delicate glassware, or glassware containing lead crystal in a dishwasher. Wash delicate glassware by hand instead.
- Silver and aluminium parts have a tendency to discolour during washing. Residues like egg white, egg yolk and mustard often cause discolouring and staining on silver. Therefore, please clean the residues from silver immediately after use.

Adding Detergent or Detergent Tablet

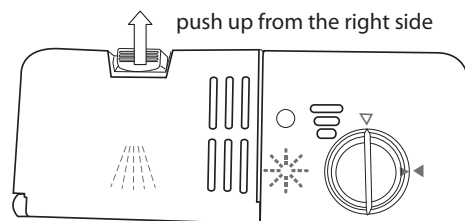
Only use detergents specifically designed for use in dishwashers. To be more environmentally friendly, please use no more than the correct amount of detergent.



- Keep out of the reach of children
- Irritating to eyes.
- Avoid contact with eyes. In case of contact with eyes, rinse immediately with plenty of water and seek medical advice.
- If swallowed, seek medical advice immediately.

Please follow the steps below to fill the detergent dispenser.

1. Push the button on the lid of the detergent dispenser in the direction of the arrow until the flap springs open.

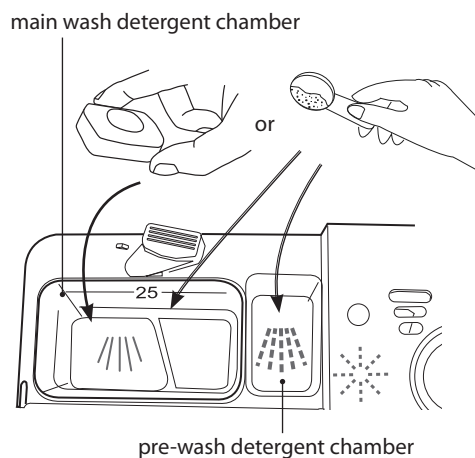


2. Fill the detergent dispenser with detergent powder or insert the detergent tablet. The marking indicates the filling level.



You can choose to add a detergent tablet alone or to add detergent powder to both the main wash detergent chamber and the pre-wash detergent chamber for your selected wash cycle.

3. All programmes with pre-wash need an additional detergent dosage that must be placed in the pre-wash detergent chamber (please refer to the wash cycle table). This detergent will take effect during the pre-wash phase.
4. Close the lid firmly so that it clicks into place.

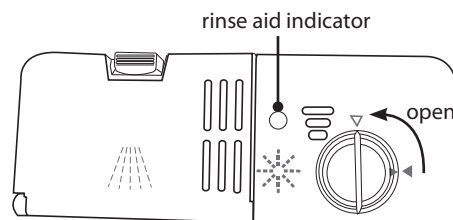


Adding Rinse Aid

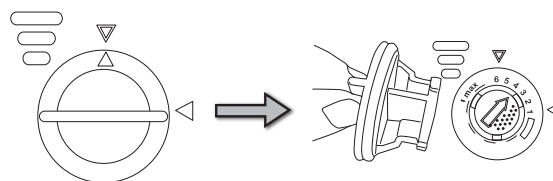
Rinse aid helps to ensure water does not cling and leave marks on crockery during the drying phase and helps crockery dry faster after it has been washed. Only pour rinse aid that is for domestic dishwashers into the reservoir. This model is designed to use liquid rinse aids only.

Please follow the steps below to pour the rinse aid into the storage reservoir, and the amount will dispense automatically.

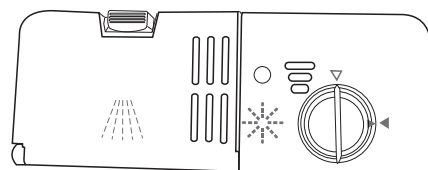
1. Turn the cap and open as indicated.



2. When the cap open marking is aligned, you may lift the cap up.



3. Pour the rinse aid in until the level indicator turns completely black in colour and close the cap.

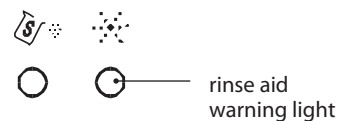


4. Be careful not to overfill the reservoir. Wipe up any spills. The approximate volume of the rinse aid reservoir is 110ml.



If the water hardness in your area is soft, you may not need rinse aid as it may cause white film to develop on your dishes.

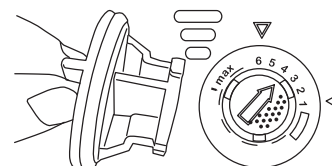
Rinse aid warning light will illuminate when the reservoir is running out of rinse aid and requires refilling.



Alternatively, you can judge the amount of rinse aid by checking the rinse aid indicator right next to the reservoir's cap. When the indicator is black, it means it is full. When it is clear, it means it is almost empty.

Adjusting the Rinse Aid Reservoir

The rinse aid reservoir has six settings. Both the recommended setting and the factory setting is "4". If the dishes are not drying properly or are spotted, adjust the dial to the next higher number until your dishes are spot-free.

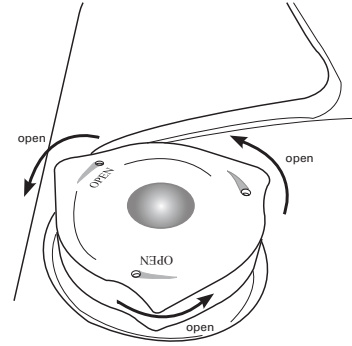


Adding Salt

If the water in your area is hard, deposits will form on your dishes and utensils. This appliance contains a salt reservoir for you to reduce the hardness of the water.

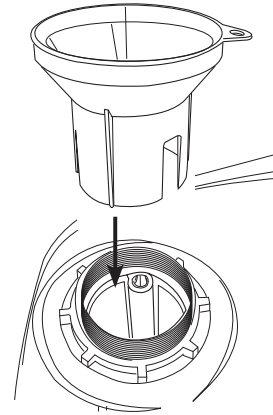
Please follow the steps below to pour the salt into the salt reservoir and it must be set to correspond to the water hardness level in your area.

1. Remove the lower basket and unscrew the reservoir cap.



2. Fill the reservoir with approximately 500ml of water (first use only).

3. Place the funnel provided over the salt reservoir.



4. Pour in approximately 1.2kg of dishwasher salt depending on the brand used.

5. Clean any excess salt from around the reservoir opening and then screw the cap on again firmly.

6. Run the "eco" wash programme immediately (without any crockery in the dishwasher) to remove any traces of salt from the compartment.

The salt warning light will illuminate when the reservoir is running out of salt and requires re-filling.

The salt warning light will cease to illuminate within a few days depending on how quickly the salt dissolves.

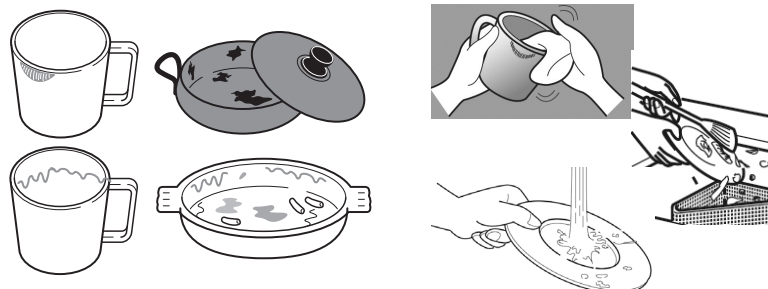


Loading the Dishwasher

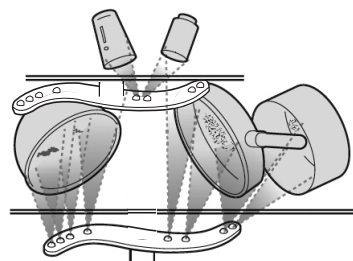
Before Loading the Dishwasher

Please observe the following notes before loading your cutlery and crockery into the basket.

- Remove lipstick stains and any food residues from crockery and dishes. Rinse if necessary.



- Dishes and cutlery must not lay inside one another, or cover each other.
- Load your cutlery and crockery so that water can access all surfaces.



- Ensure all items are securely positioned.
- Hollow items such as cups, glasses, pans, etc. must be placed upside down in the basket.
- Wide based items should be placed at an angle so that water can run off them freely.
- The spray arms must not be blocked by items which are too tall or hang through the baskets. If in doubt, test for free movement by manually rotating the spray arms.
- Ensure that small items cannot fall through the holders in the baskets.



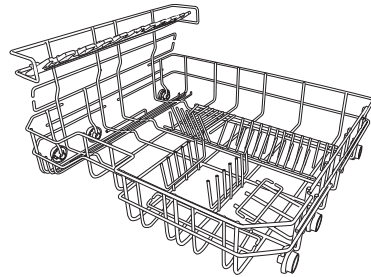
Do not wash items soiled with ash, sand, wax, lubricating grease or paint in the dishwasher. Ash does not dissolve and can distribute in the dishwasher. Wax, sand, lubricating grease and paint can cause damage to the dishwasher.



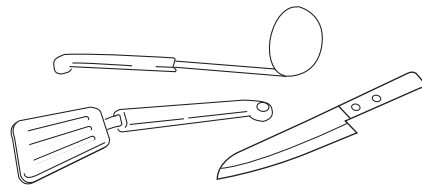
For safety reasons, do not operate the dishwasher without the upper and lower baskets in place.

Dishwasher Basket

Please use the dishwasher basket for small and lightweight items such as cups, saucers, glasses, dessert bowls, etc. Shallow pans or casserole dishes can also be placed in the upper basket.

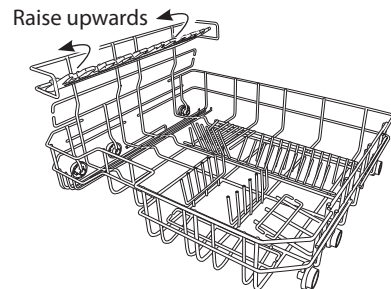


Long items such as soup ladles, mixing spoons and long knives should be placed lying down across the front of the upper basket.



Hinged Cup Rack

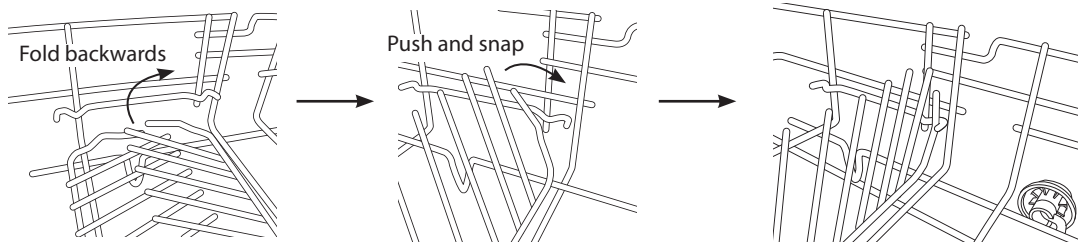
To make room for taller items in the dishwasher basket, raise the cup rack upwards. You can then lean the tall glasses against it. You can also remove it when it is not required for use.



To prevent water dripping from the upper basket onto the dishes in the lower basket, we recommend that you empty the lower basket first and then the upper basket.

Hinged Spikes

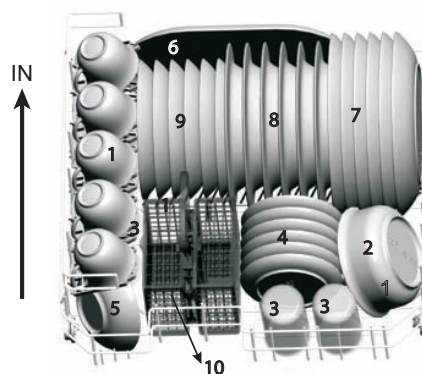
The spikes are used for holding plates and a platter. They can be lowered to make more room for large items. Please refer below for the steps to open up the spikes.



Loading the Dishwasher Basket for 6 Place Settings

For loading the dishwasher basket, please refer to the table below.

Number	Item
1	Cups
2	Medium serving bowl
3	Glasses
4	Saucers
5	Dish
6	Oval platter
7	Dinner plates
8	Soup plates
9	Dessert dishes
10	Cutlery basket

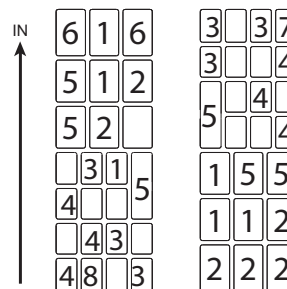


Cutlery Basket

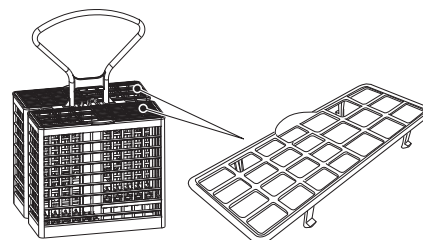
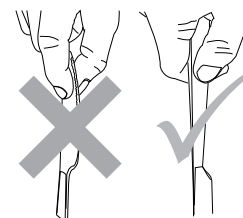
Loading the Cutlery Basket

To make unloading much easier, cutlery should be grouped in zones and placed in the cutlery basket. Please refer to the table below for placement method.

Number	Item
1	Forks
2	Soup spoons
3	Dessert spoons
4	Teaspoons
5	Knives
6	Serving spoons
7	Gravy ladle
8	Serving fork



- Do not let any items extend through the bottom of baskets.
- To avoid the risk of injury, please load your knives and forks with handles upwards. Do not hold them by their sharp edges.
- The cutlery basket comes with covers, and they are designed for you to load the cutlery into the appropriate slots. If you use the basket without the cover, it may reduce the washing results of your cutlery.
- Please ensure the cover is securely locked to the basket before operation.
- To comply with Standards of Performance, i.e. EN50242, all cutlery must be loaded according to the instructions in this manual.



Starting a Wash Cycle

Please follow the steps below to start a wash cycle.

1. Ensure the unit is connected to the mains power and the water supply is on (water pressure between 0.04MPa and 1.00MPa).
2. Open the door. Pull out the dishwasher baskets, load the dishes and push the baskets back.
3. Pour in the detergent or place the detergent tablet in the detergent compartment and close firmly afterwards.
4. Close the dishwasher door. A click sound should be heard when the door is closed correctly. Do not slam the door.
5. Press the **On/Off** button.
6. Select the wash cycle programme based on the loading and soil requirements. Please refer to the "Wash Cycle Table" (page 11).
7. The power indicator light of the selected programme indicator light will illuminate.
8. Press the **Start/Pause** button, the washing cycle will begin shortly.



If you open the dishwasher door during the washing cycle and then close it, the dishwasher will continue the current washing programme after 10 seconds. However, if the door is not closed correctly after 1 minute, the dishwasher will make an audible sound at 1 minute intervals.

Changing a Programme

To change the programme if the washing cycle has already started, follow the steps below.

1. Open the door slightly to check if the unit has dispensed the detergent or detergent tablet. This will depend on how long the washing cycle was running for.
2. If the detergent dispenser lid is opened, we suggest you to allow the wash cycle to complete.
3. If the detergent dispenser lid is still closed, press the **On/Off** button to cancel the programme. You may then close the dishwasher door and press the **On/Off** button again. Then, press the required new programme button and confirm the selection by pressing the **Start/Pause** button. The unit will start the new washing cycle shortly.

At the End of a Programme

At the end of a programme, the dishwasher will make an audible sound.



Switching Off the Unit

To save energy, remember to switch the dishwasher off using the **ON/OFF** button. The dishwasher will continue to use electricity until it is switched off with the **ON/OFF** button.

If the dishwasher is not going to be used for a long period of time, e.g. whilst on holiday, disconnect the unit from the mains supply.

Unloading the Dishwasher

Allowing dishes to cool down before unloading is important as dishes tend to break and chip more easily when they are hot. Therefore, if you open the dishwasher door fully after switching off, it will allow the dishes to cool down much faster.



Cleaning After Use

External Care

The Door and the Door Seal

- Clean the door seals regularly with a soft damp cloth to remove food deposits.
- When the dishwasher is being loaded, food and drink residues may drip onto the sides of the dishwasher door. These surfaces are outside the wash cabinet and are not accessed by water from the spray arms. Any deposits should be wiped off before the door is closed.

The Control Panel

If cleaning is required, the control panel should be wiped with a soft damp cloth **ONLY**.



- To avoid penetration of water into the door lock and electrical components, do not use a spray cleaner of any kind.
- Never use abrasive cleaners or scouring pads on the outer surfaces because they may scratch the finish. Some paper towels may also scratch or leave marks on the surface.

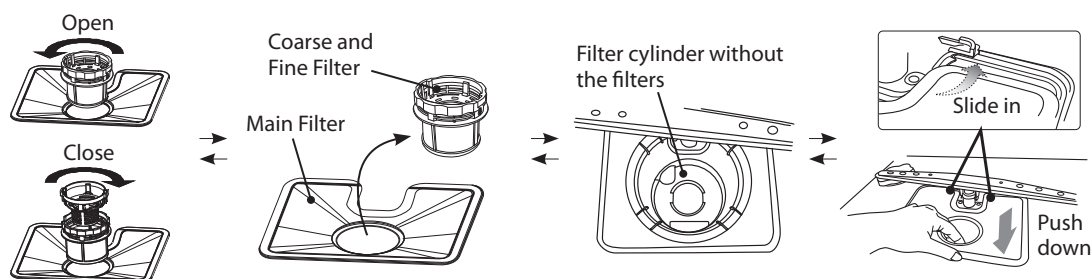
Internal Care

Filtering System

The filtering system in the base of the wash cabinet captures large particles of suds solution. Build up of these particles may cause the filters to block. Check the condition of the filters regularly and clean them if necessary under running water.

Follow the steps below to clean the filters in the wash cabinet.

1. Ensure the dishwasher is switched off.
2. Unscrew the coarse and fine filter.
3. Gently lift the coarse and fine filter out.
4. Gently lift the main filter with care.
5. Rinse all the filters under running water, including the filter cylinder, and then refit all filters in the following order.
6. Gently refit the main filter back with care.
7. Gently rescrew the coarse and fine filter in clockwise direction.

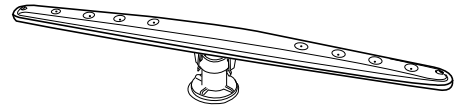


- Do not over tighten the filters. Put the filters back in the filter cylinder in sequence securely, otherwise the residue could get into the system and cause a blockage.
- **NEVER** use the dishwasher without the filters in place. Improper replacement of the filters may reduce the performance level of the appliance and damage dishes and utensils.

Spray Arms

Particles of food can get stuck in the spray arm jets and bearings. The spray arms should therefore be checked and cleaned regularly.

- Use a pointed object, e.g. a cocktail stick, to loosen food particles in the spray arms' jets.



Do not attempt to remove the spray arms.

Frost Precaution

Avoid placing the dishwasher in a location where the temperature is below 0°C. If your appliance is left in an unheated place over the winter, you are advised to:

1. Disconnect the unit from the water inlet.
2. Turn on the unit. Select any washing cycle and let it run for 1 minute only. This will allow all the excessive water that remains in the unit to drain out.
3. Disconnect from the mains.
4. Empty the dishwasher.
5. Close the dishwasher's door.
6. Disconnect the unit from the water drain. Use a suitable receptacle to catch the water.

Should you encounter any difficulties with the above steps, please ask a service technician for assistance.

Moving the Dishwasher

If you have to move the unit, for instance due to moving house, you are advised to:

1. Disconnect the dishwasher from the mains.
2. Disconnect the unit from the water inlet and drain. Use a suitable receptacle to catch the water.
3. Remove the unit from the current location with the hoses discharged.
4. Pull the unit out together with the hoses.



- Avoid over tilting the unit during transportation.
- We recommend that 2 people handle the dishwasher during installation.

Maintenance After a Prolonged Period of Non-Operation

If you are not going to use the unit for a prolonged period of time, you are advised to:

1. Disconnect the dishwasher from the mains.
2. Disconnect the unit from the water inlet and drain. Use a suitable receptacle to catch the water.
3. Open the door slightly to prevent unpleasant smells building up in the compartment.
4. Ensure the washing compartment of the dishwasher is clean.

Hints and Tips



Repairs should only be carried out by a qualified technician in strict accordance with current local and national safety regulations. Unauthorised or incorrect repairs could cause personal injury or damage to the unit.

Fault Code

Codes	Possible Causes	Remedy
3 in 1 program light is blinking	Water tap is not turned on.	Turn on the water tap.
	Low water pressure (<0.04MPa)	Turn on the water tap and ensure it is in full position.
	Flow meter is broken.	<ul style="list-style-type: none"> • Disconnect from the mains. • Disconnect the water inlet. • Call a qualified technician.
	The wire terminals which connect the flow meter are loose.	
Glass program light is blinking	The float switch is broken or PCB is faulty.	
	The wire terminal connected to the float switch is loose or broken.	

Technical Problems

Technical Problems		
Problem	Possible Causes	Remedy
The dishwasher does not start.	The door is not properly closed.	Close the door firmly.
	The unit is not connected to the mains.	Connect the plug to the mains.
	The unit is not switched on.	Press the "on" button and select a programme.
The drain pump is not working properly.	The anti-flooding system has operated.	<ul style="list-style-type: none"> • Disconnect from the mains. • Disconnect the water inlet. • Call a qualified technician.

General Problems		
Problem	Possible Causes	Remedy
Detergent residue is left in the dispenser at the end of the programme.	The detergent dispenser was still damp when detergent was added.	Make sure the dispenser is dry before adding detergent.
The detergent dispenser lid cannot be closed properly.	Clogged detergent residue is blocking the catch.	Clean the catch.
Knocking noise in the wash cabinet.	A spray arm is knocking against an item in a basket.	Interrupt the programme, and rearrange the items which are obstructing the spray arm. See the section "Loading the Dishwasher".
Smearing appears on glassware and cutlery.	The rinse aid dosage is set too high.	Adjust the dial of the rinse aid dispenser to a lower setting.
Dishes, cutlery and glasses are not dry.	The amount of rinse aid may be insufficient, or the rinse aid reservoir is almost empty.	Replenish the reservoir, adjust the rinse aid dispenser dial to a higher setting or change the brand of rinse aid.
	Crockery was taken out of the dishwasher too soon.	Leave the crockery in the dishwasher until you hear an audible sound.
White residue is visible on cutlery and crockery, clouding occurs on glassware; film can be wiped off.	Not enough rinse aid was used.	Replenish the reservoir, adjust the rinse aid dispenser dial to a higher setting or change the brand of rinse aid.
	There is not enough salt in the salt reservoir.	Fill the salt reservoir.
	The salt reservoir cap has not been screwed on correctly.	Ensure that it is screwed back on correctly.
	Unsuitable detergent has been used.	Change your detergent. Use a dishwasher standard powder detergent.
	The salt consumption setting is too low.	Select a higher salt consumption setting.
Glassware is dull and discoloured; film cannot be wiped off.	The glassware is not dishwasher proof. The surfaces are affected.	Wash the non-dishwasher proof glassware by hand.
Tea or lipstick stains have not been completely removed.	The wash temperature of the selected programme was too low.	Select a programme with a higher wash temperature.
	The bleaching effect of the detergent used is too low.	Change your detergent.
	Forgot to pre-rinse or remove the stains with a napkin prior to washing.	Pre-rinse or remove the stains with a napkin prior to washing.



Disposal of the Dishwasher

- When disposing your old dishwasher, first make it unusable. Disconnect the hoses and unplug the mains cable. Cut off the mains cable from the dishwasher. Make the door lock inoperative, so that children cannot accidentally shut themselves in. Make appropriate arrangements for the disposal of the dishwasher.
- At the end of its working life, the product must not be disposed of as urban waste. It must be taken to a special local authority differentiated waste collection centre or to a dealer providing this service. Disposing of a household appliance separately avoids possible negative consequences for the environment and health deriving from inappropriate disposal and enables the constituent materials to be recovered to obtain significant savings in energy and resources. As a reminder of the need to dispose of household appliances separately the product is marked with a crossed out wheeled dustbin.
- Please ensure that it presents no danger to children while being stored for disposal.

Disposal of Packing Material

Please dispose of the plastic wrappings and bags safely and keep out of the reach of babies and young children.

Specifications

Model	CDWTT11
Dimensions	550 mm (W) x 500 mm (D) x 438 mm (H)
Capacity	6 Place Settings
Water Pressure Required	0.04 - 1.00MPa
Power Consumption	1280W
Rated Voltage	230V/50Hz

Features and specifications are subject to change without prior notice.

Safety Warnings

For your continued safety and to reduce the risk of injury or electric shock, please follow all the safety precautions listed below.

- Read all instructions carefully before using the dishwasher and keep them for future reference.
- Retain the manual. If you pass the dishwasher onto a third party, make sure to include this manual.
- Keep ventilation openings in the dishwasher enclosure clear of obstructions.
- Choose a location for your dishwasher away from heat sources such as radiators or fires.
- Young children should be supervised to ensure that they do not play with the dishwasher.
- Keep mains cable out of reach from children.
- This dishwasher is not intended for use by persons (including children) with reduced sensory or mental capabilities, or lack of experience and knowledge unless they have been given supervision or instructions concerning the use of the dishwasher by a person responsible for their safety.
- Keep children away from detergents and rinse aids. These may cause chemical burns in the mouth, throat and eyes or asphyxiation.
- Keep children away from the dishwasher when the door is open.
- Switch off and unplug before fitting or removing tools/attachments, after use and before cleaning.
- Keep your fingers away from moving parts and fitted attachments.
- Never use a damaged machine.
- If the mains cable is damaged, it must be replaced by the manufacturer, its service agent or a qualified technician in order to avoid a hazard.
- Keep the power unit, mains cable or plug away from water.
- Never exceed the maximum capacities.
- 2 people are required to lift this dishwasher.
- Only use the dishwasher for its intended domestic use.

WARNING



IT IS HAZARDOUS FOR ANYONE OTHER THAN AUTHORISED SERVICE PERSONNEL TO CARRY OUT SERVICING OF REPAIRS WHICH INVOLVE THE REMOVAL OF COVERS.



TO AVOID THE RISK OF AN ELECTRICAL SHOCK DO NOT ATTEMPT REPAIRS YOURSELF.

- Do not sit or stand on the door or dish rack.
- Do not move your dishwasher by holding the door or its edges. Hold the dishwasher around its sides or base when moving it.
- Do not touch the heating element during or immediately after use.
- Do not operate your dishwasher unless all enclosure panels are properly in place. Open the door very carefully when there is a programme running as there is a risk of hot water spraying out of the appliance.
- Do not place any heavy objects on the open door. The appliance could tip.
- When loading items to be washed:
 1. Locate sharp items so that they will not damage the door seal;
 2. Warning: Knives and other utensils with sharp points must be loaded in the basket with the points downwards or placed horizontally.
- Do not allow plastic items to come into contact with heating element.
- Check that the detergent receptacle is empty after completion of the wash cycle.
- Do not wash plastic items unless they are marked dishwasher safe or equivalent.
- Use only detergent and rinse aids designed for an automatic dishwasher.

- Other means for disconnection from the supply must be incorporated in the fixed wiring with at least 3mm contact separation in all poles.
- The door should not be left in the open position since this could present a tripping hazard.
- For energy saving, always remember to switch the dishwasher off when you have finished using it. The dishwasher should not be left unattended when in use.
- Remove the door to the washing compartment when removing an old dishwasher from service or discarding it.
- During installation, the power supply cord must not be excessively or dangerously bent or flattened.
- Do not tamper with controls.
- The appliance is to be connected to the water mains using new hose sets.
- The maximum number of place settings to be washed is 6.
- The maximum permissible inlet water pressure is 1Mpa, and the minimum permissible inlet water pressure is 0.04Mpa.



Earthing Instructions

WARNING: THIS APPLIANCE MUST BE EARTHED.

- This appliance is equipped with a mains cable having an equipment-earthing conductor and an earthing plug.
- The plug must be plugged into an appropriate outlet that is installed and earthed in accordance with local standards and requirements.



- Improper connection of the equipment-earthing conductor could result in a risk of electric shock.
- The wires in the cord are coloured as follows:
 - Green and Yellow = Earth,
 - Blue = Neutral,
 - Brown = Live.
- Check with a qualified electrician or service representative if you are in doubt whether the appliance is properly earthed or the plug does not fit correctly.
- Never modify the plug provided with the appliance.







NOTE: If you require a replacement for any of the items listed below, please quote their corresponding part numbers:

Replacement Part	Part Number
Cutlery Basket	673006200014
Water Supply Hose	673000900060
Drain Hose	673005400041
Drain Hose Mounting Clamp	672005400002
Detergent Measuring Spoon (Approx. 20g)	673002200079
Measuring Cup (Approx. 60ml)	673006200004
U-Shape Hose Holder	673006200003
Salt Funnel	673002200001



Visit Partmaster.co.uk today for the easiest way to buy electrical spares and accessories. With over 1 million spares and accessories available we can deliver direct to your door the very next day. Visit www.partmaster.co.uk or call 0844 800 3456 (UK customers only) Calls charged at National Rate.



This symbol on the product or in the instructions means that your electrical and electronic equipment should be disposed at the end of its life separately from your household waste. There are separate collection systems for recycling in the EU.

For more information, please contact the local authority or your retailer where you purchased the product.

DSG Retail Ltd. • Maylands Avenue • Hemel Hempstead
Herts • HP2 7TG • England

(P.N.: CDWTT11-001)